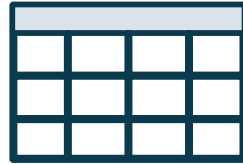
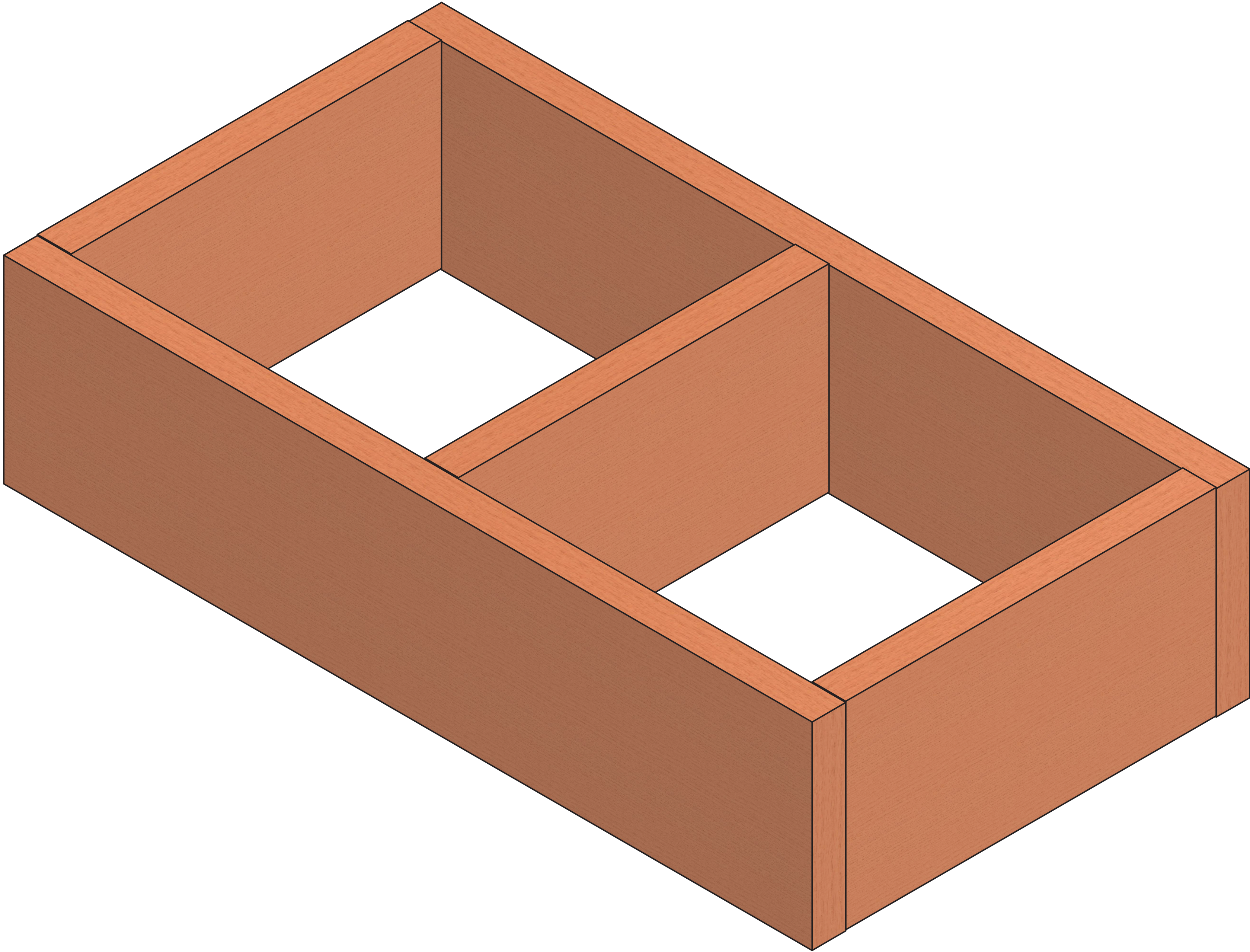


Baffle Connex

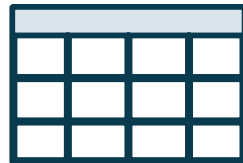
Field-cut and Assembled Custom Array System

SoundPly® and Rensa™ Acoustic Lighting



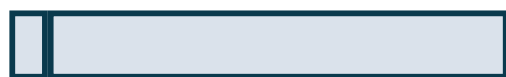
Baffle Options

Page 2



Hardware List

Page 3



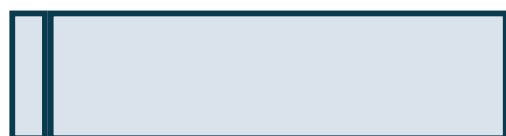
4-6" Height Baffles

Page 4



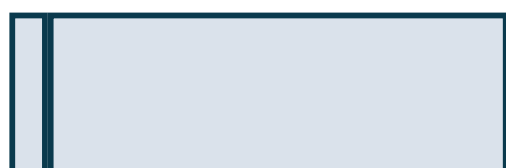
6-8" Height Baffles

Page 5



8-12" Height Baffles

Page 6



12-20" Height Baffles

Page 7



Varying Height Baffles

Page 8



Slot Jigs

Page 9

Baffle Connex Compatibility

SoundPly® and Rensa™ Acoustic Lighting



	SOUNDPLY			RENSA		
	Ascend	Cella	Tilde	Ascend Lit	Cella Lit	Tilde Lit
Mains	✓	✓	✓	✓	✓	✓
Cross Members	✓			-		

Hardware List



Supplied by Navy Island

Name	Part Number
Tab Lock	H303-1370
Twin Tab Lock	H303-1371
#6 X 1" Flat Head Screw	HA01-0791
Short Slot Jig	HB03-1372
Standard Slot Jig	HB03-1373
Tall Slot Jig	HB03-1374
SoundPly® Baffle	
Rensa™ Lit Baffle	

4-6" Height Baffles

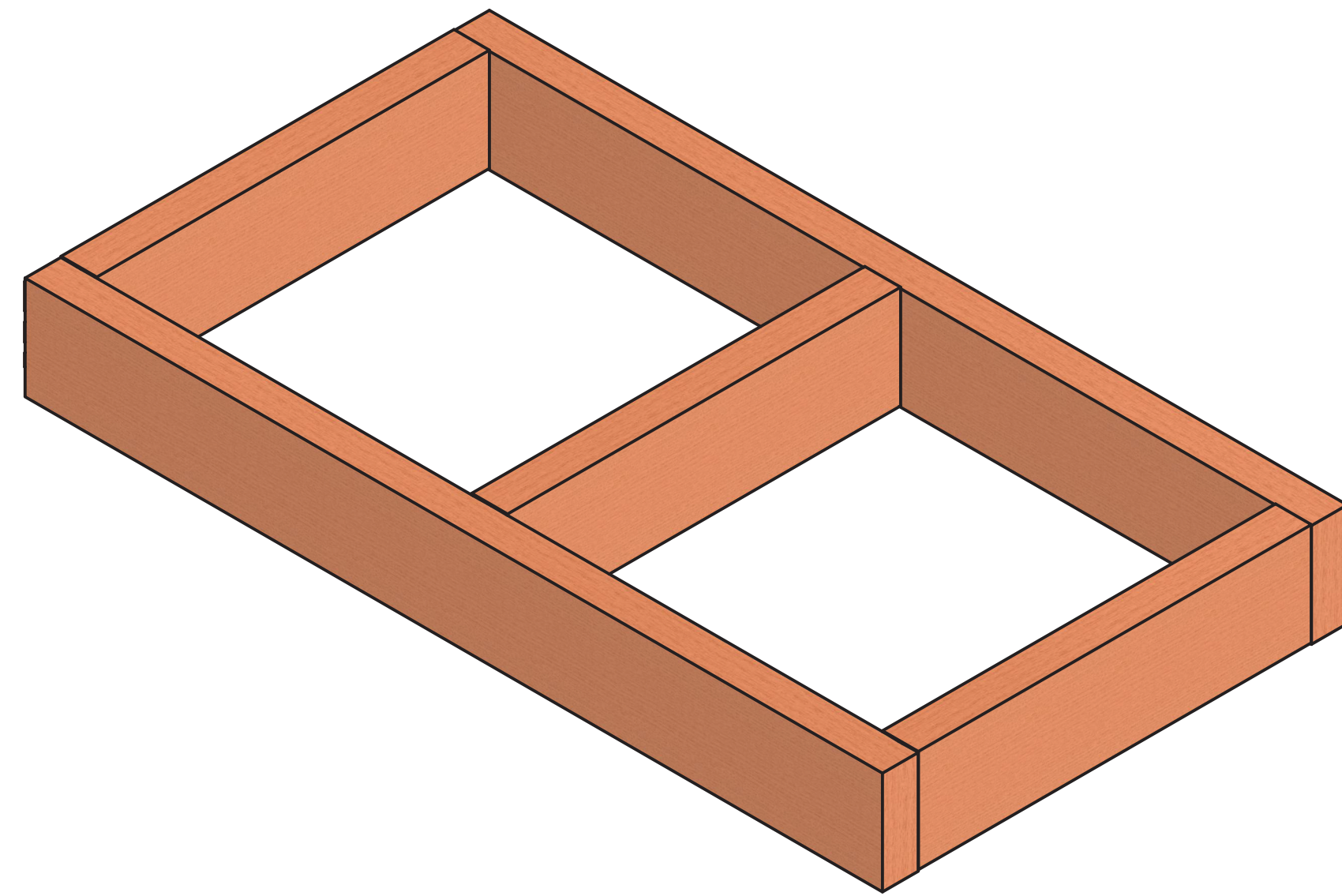


These drawings have been created for illustrative purposes. The depiction of materials are not to be used as a submittal for that product.

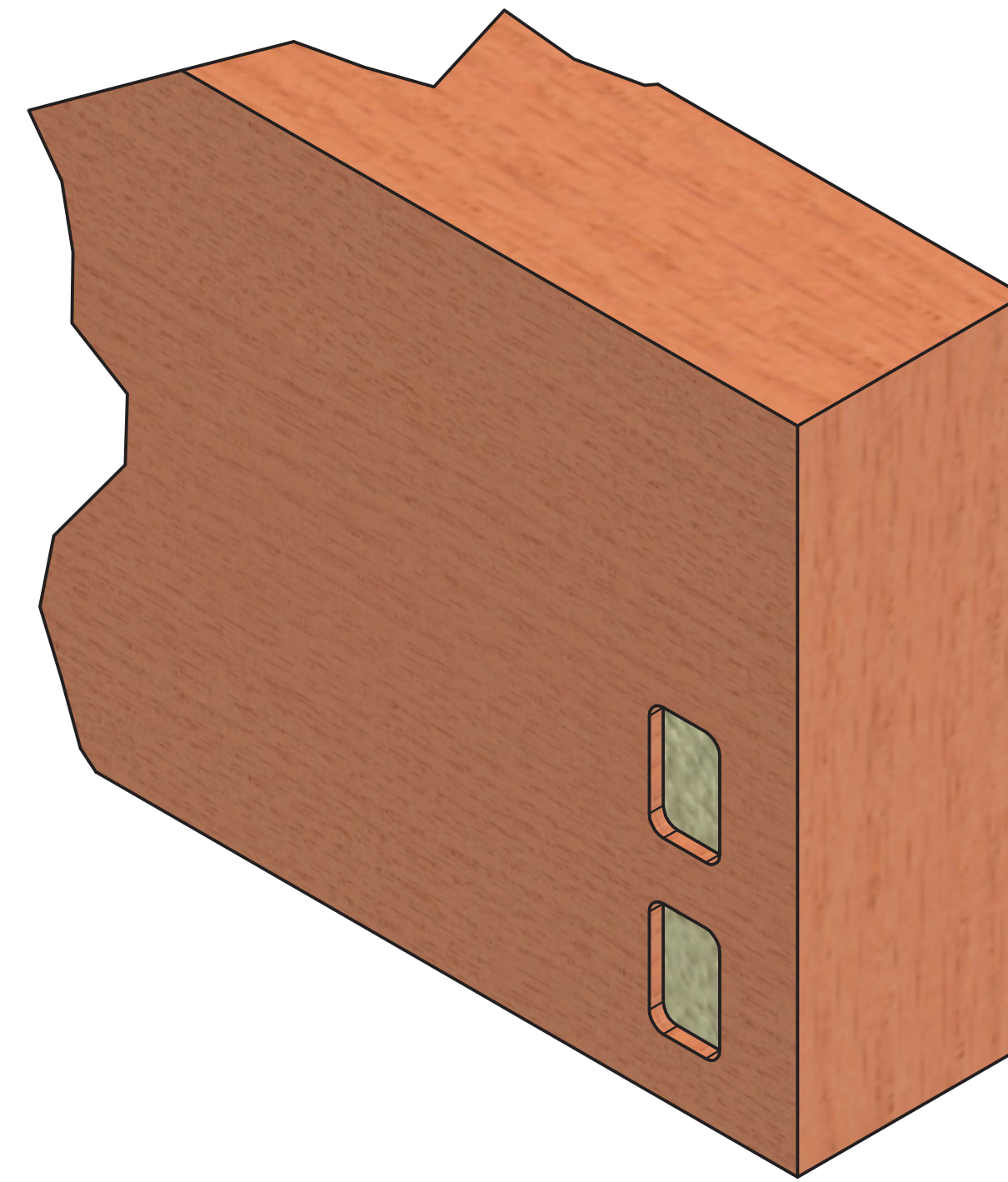
SCALE BASED ON 24" x 36" SHEET SIZE.

SUPPLIED BY NAVY ISLAND

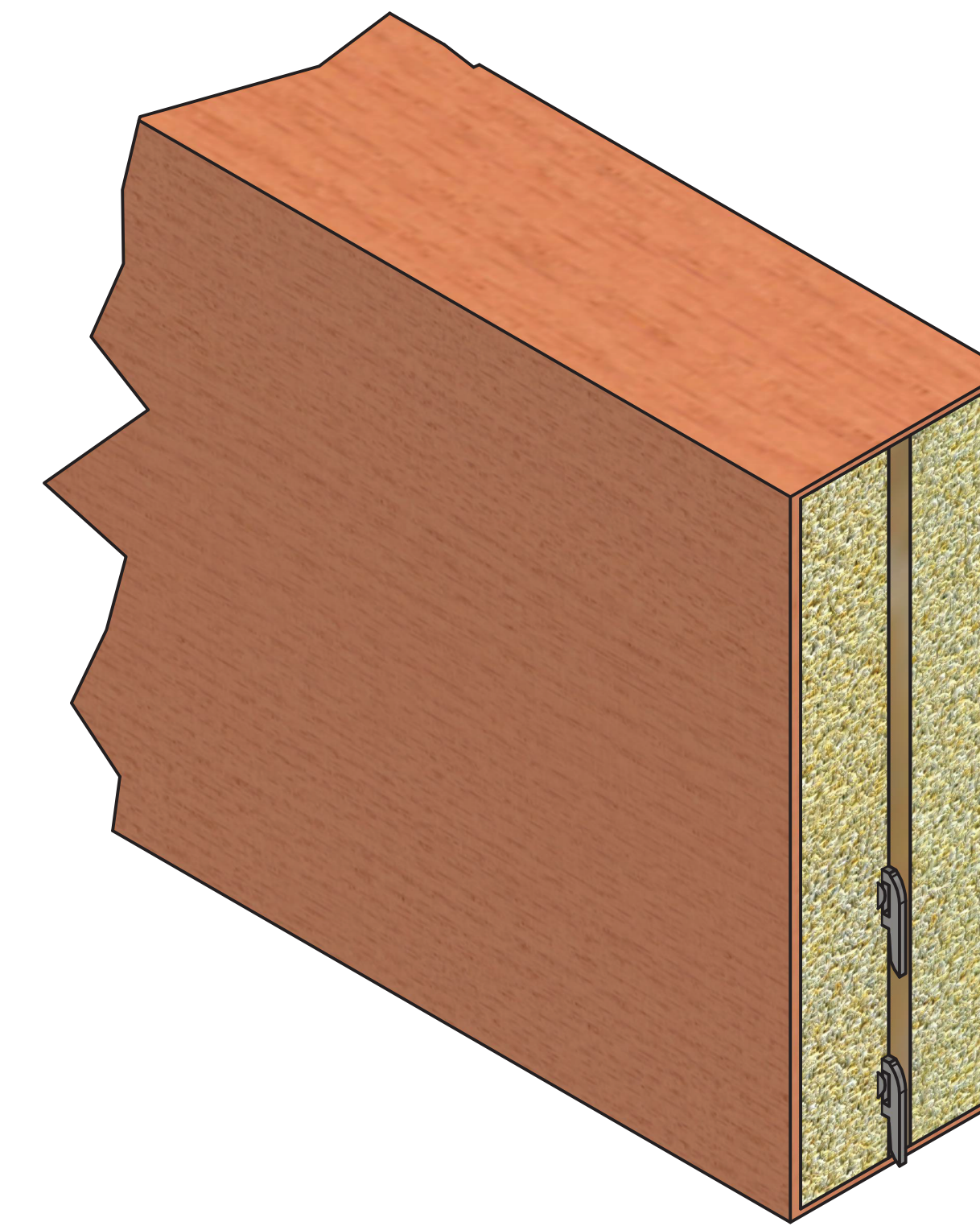
- SOUNDPLY® BAFFLE
- SHORT SLOT JIG
- TAB LOCK
- #6 X 1" FLAT HEAD SCREW



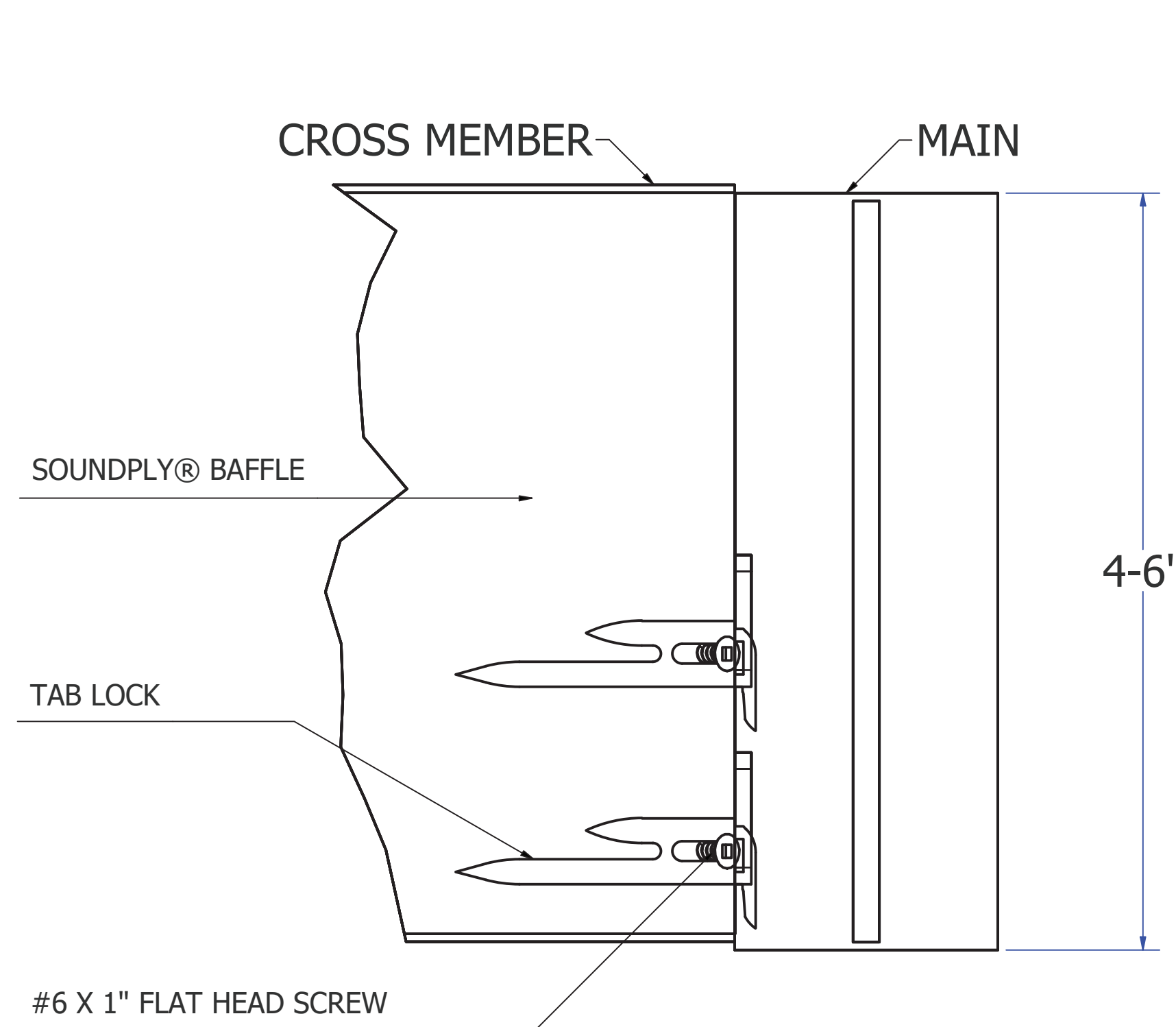
ISO - BAFFLE CONNEX ASSEMBLY



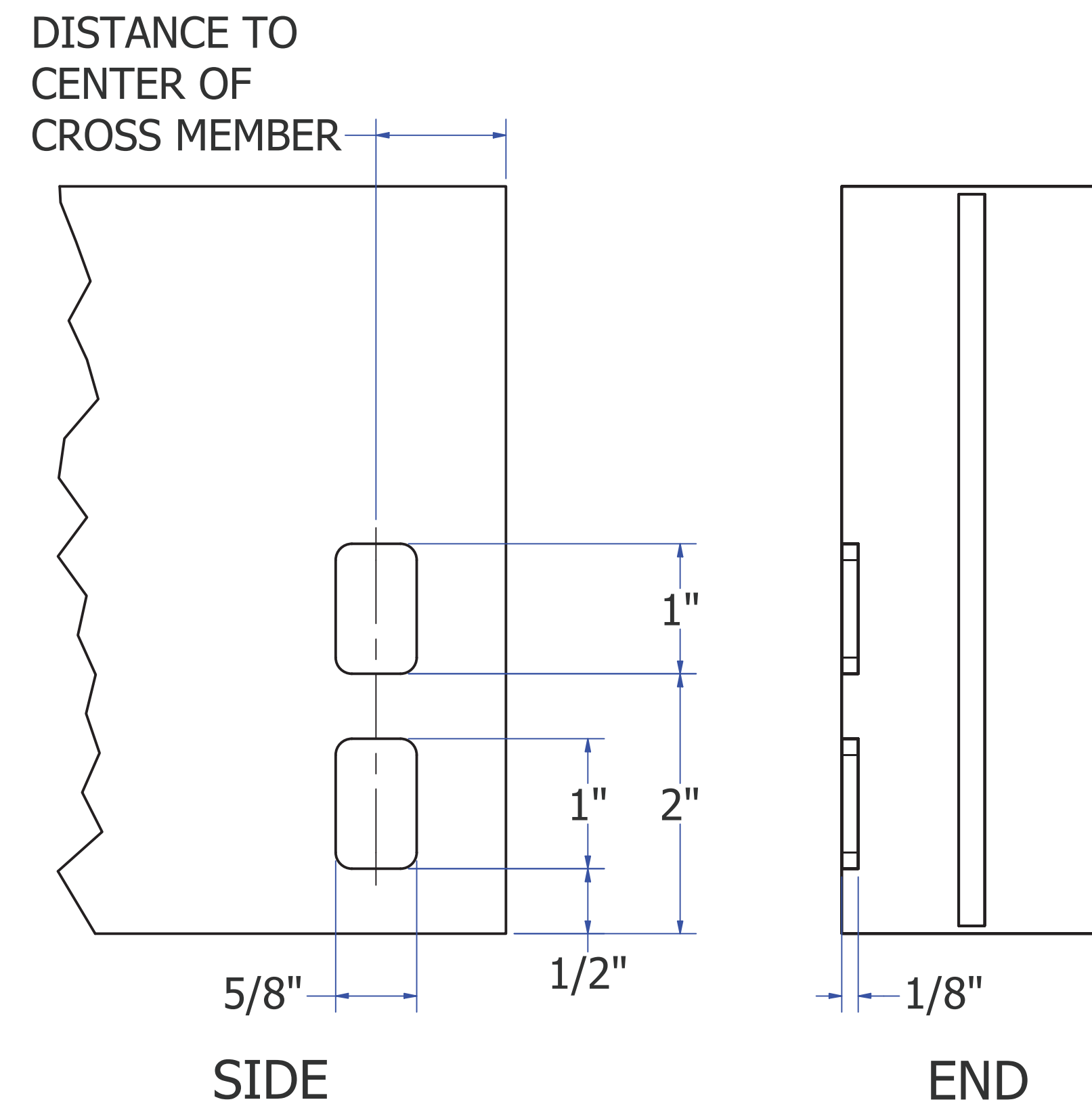
ISO - MAIN



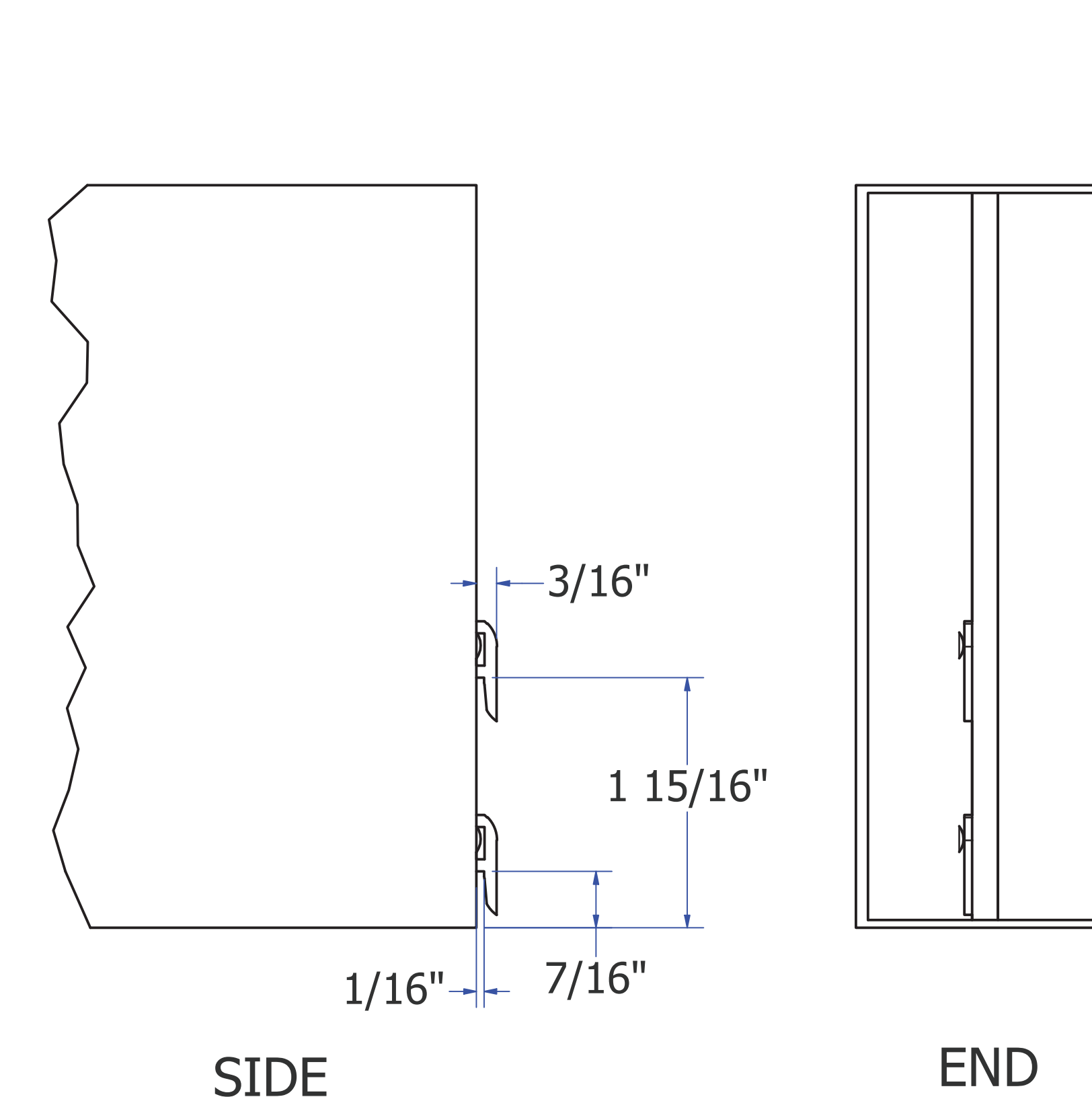
ISO - CROSS MEMBER



A DETAIL - BAFFLE CONNEX ASSEMBLY

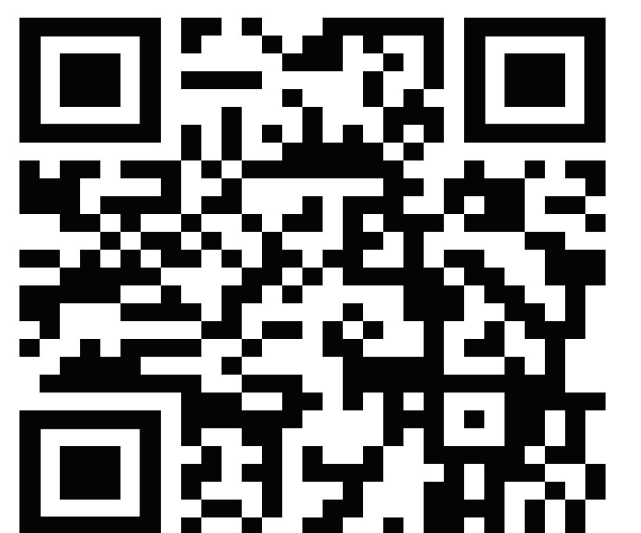


B DETAIL - MAIN



C DETAIL - CROSS MEMBER

Instructional Videos



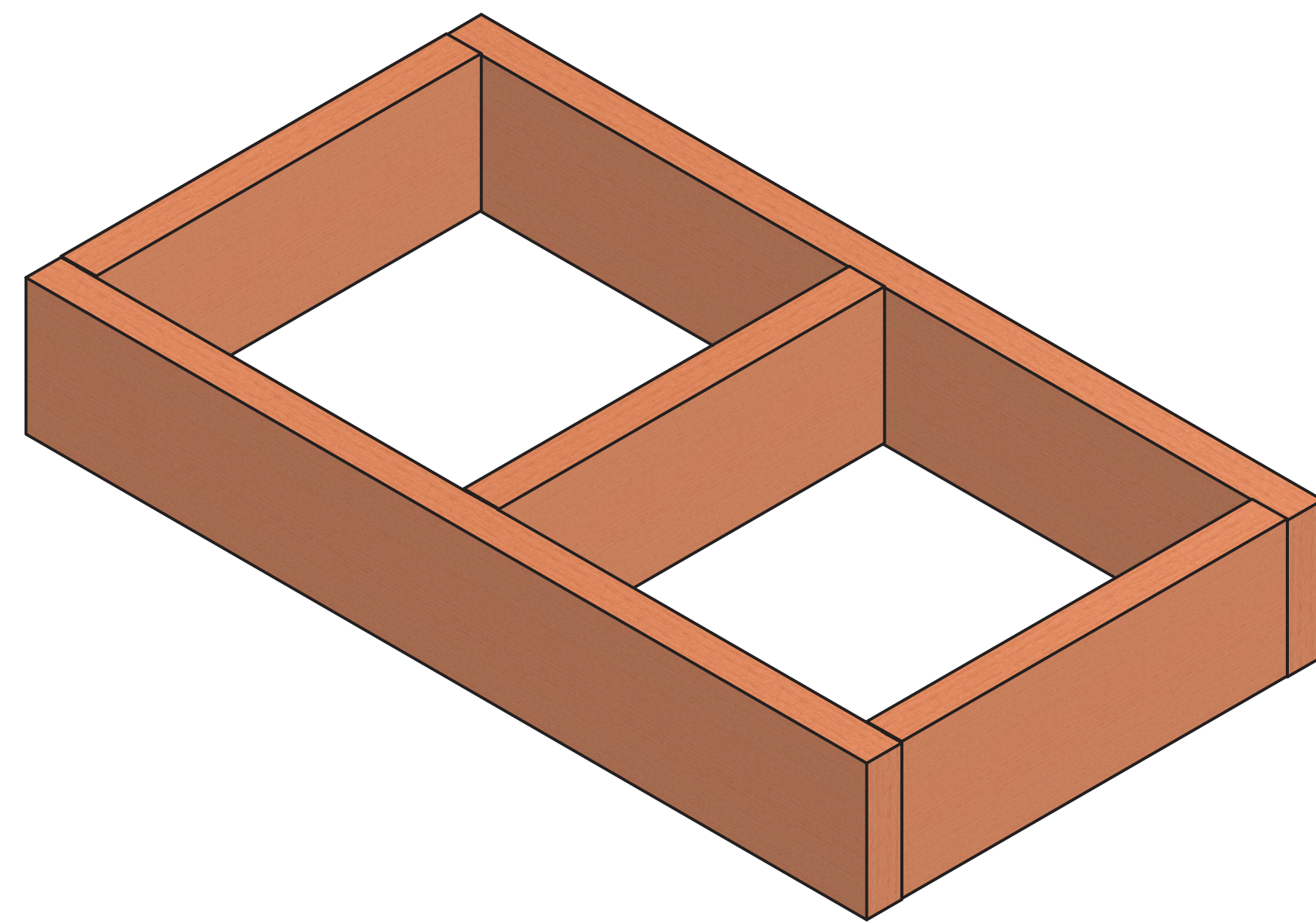
6-8" Height Baffles



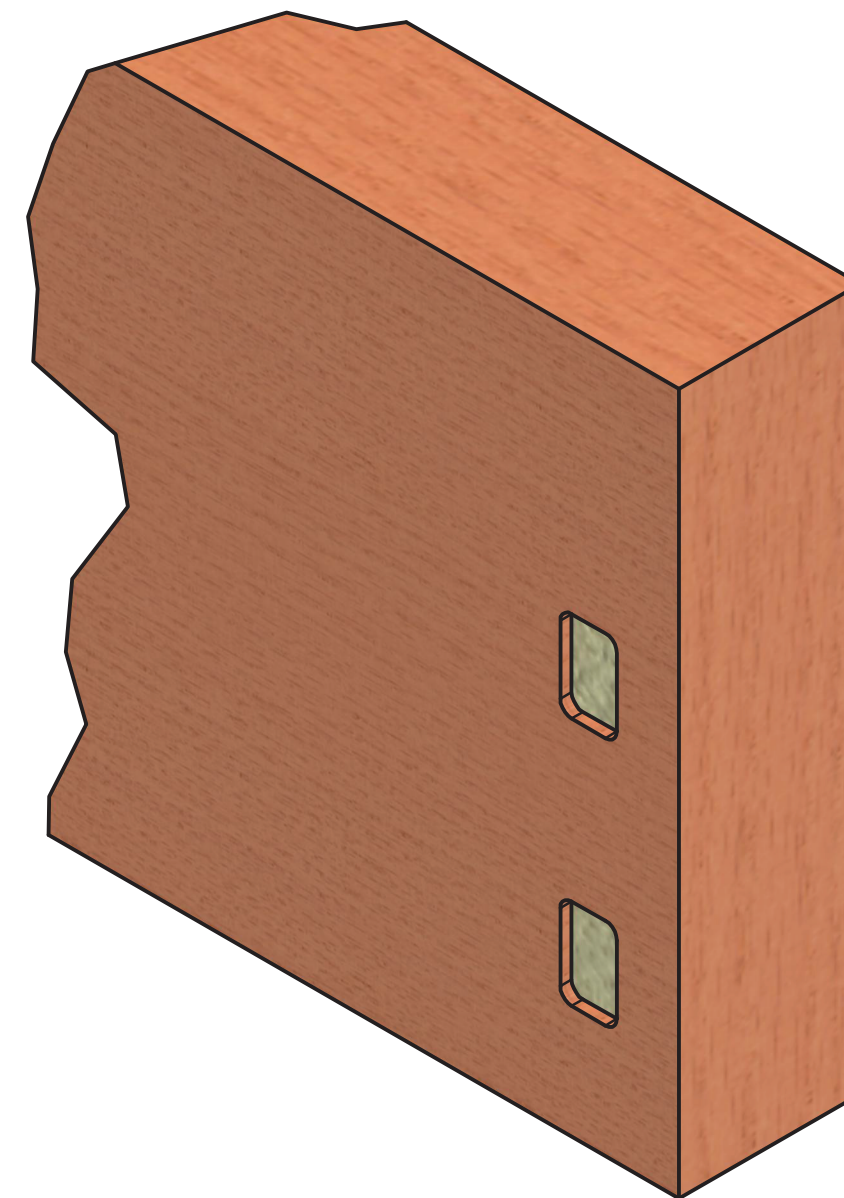
These drawings have been created for illustrative purposes. The depiction of materials are not to be used as a submittal for that product.

SCALE BASED ON 24" x 36" SHEET SIZE.

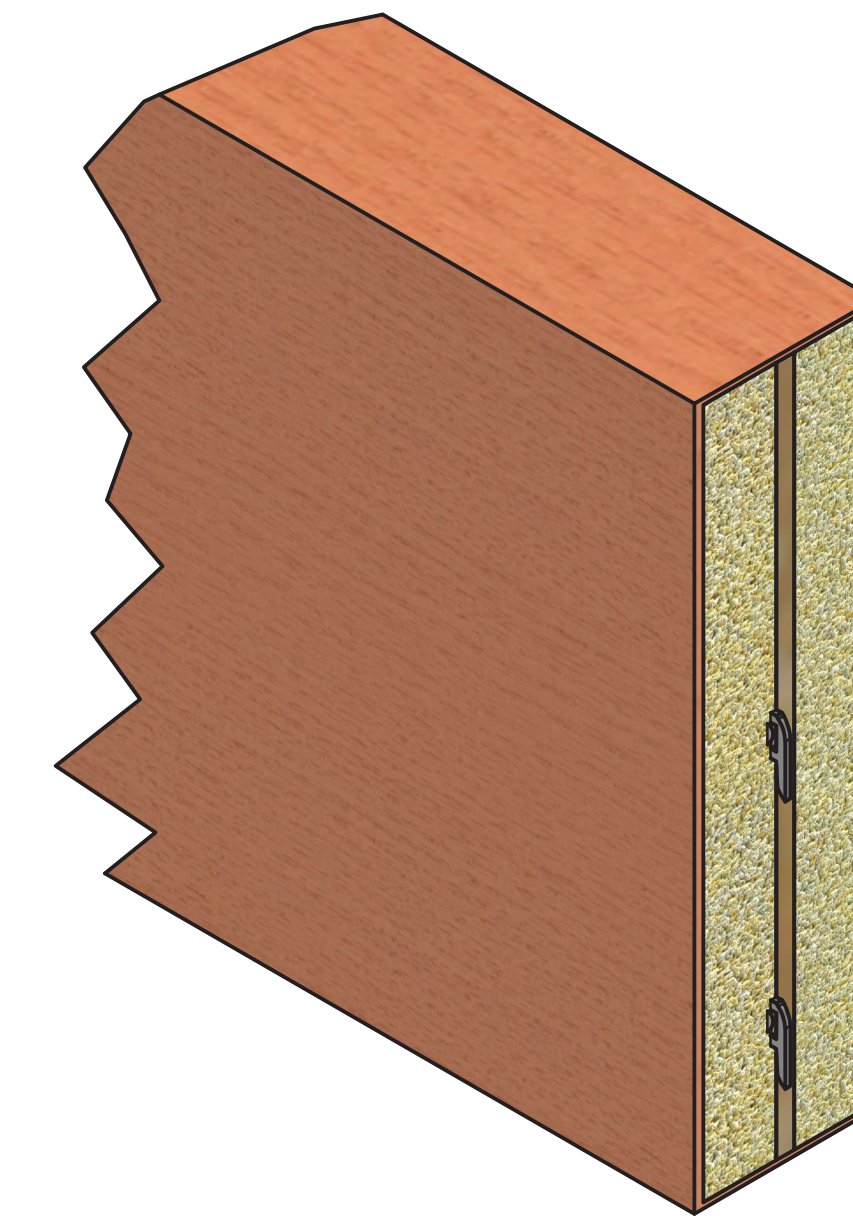
SUPPLIED BY NAVY ISLAND
SOUNDPLY® BAFFLE
STANDARD SLOT JIG
TAB LOCK
#6 X 1" FLAT HEAD SCREW



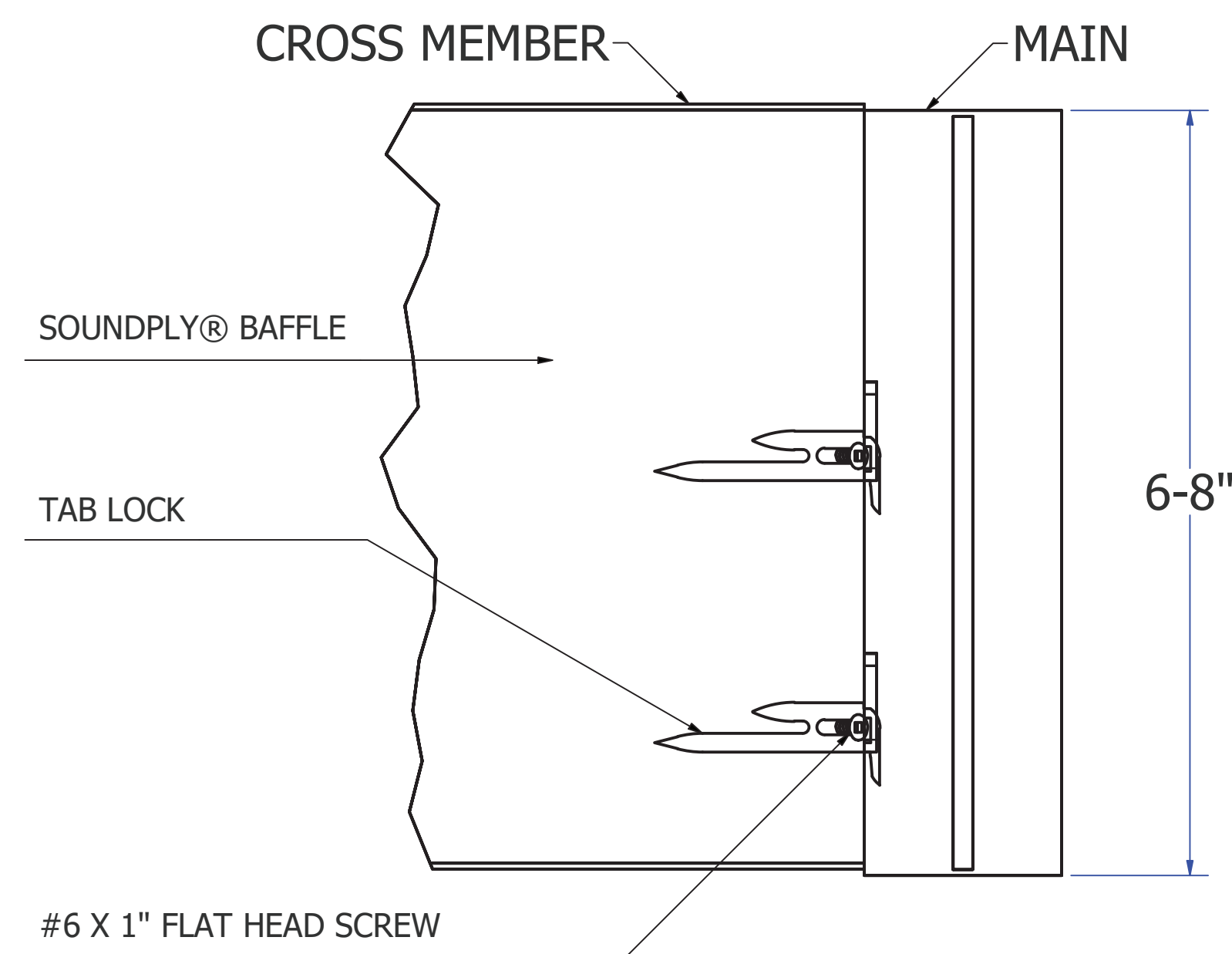
ISO - BAFFLE CONNEX ASSEMBLY



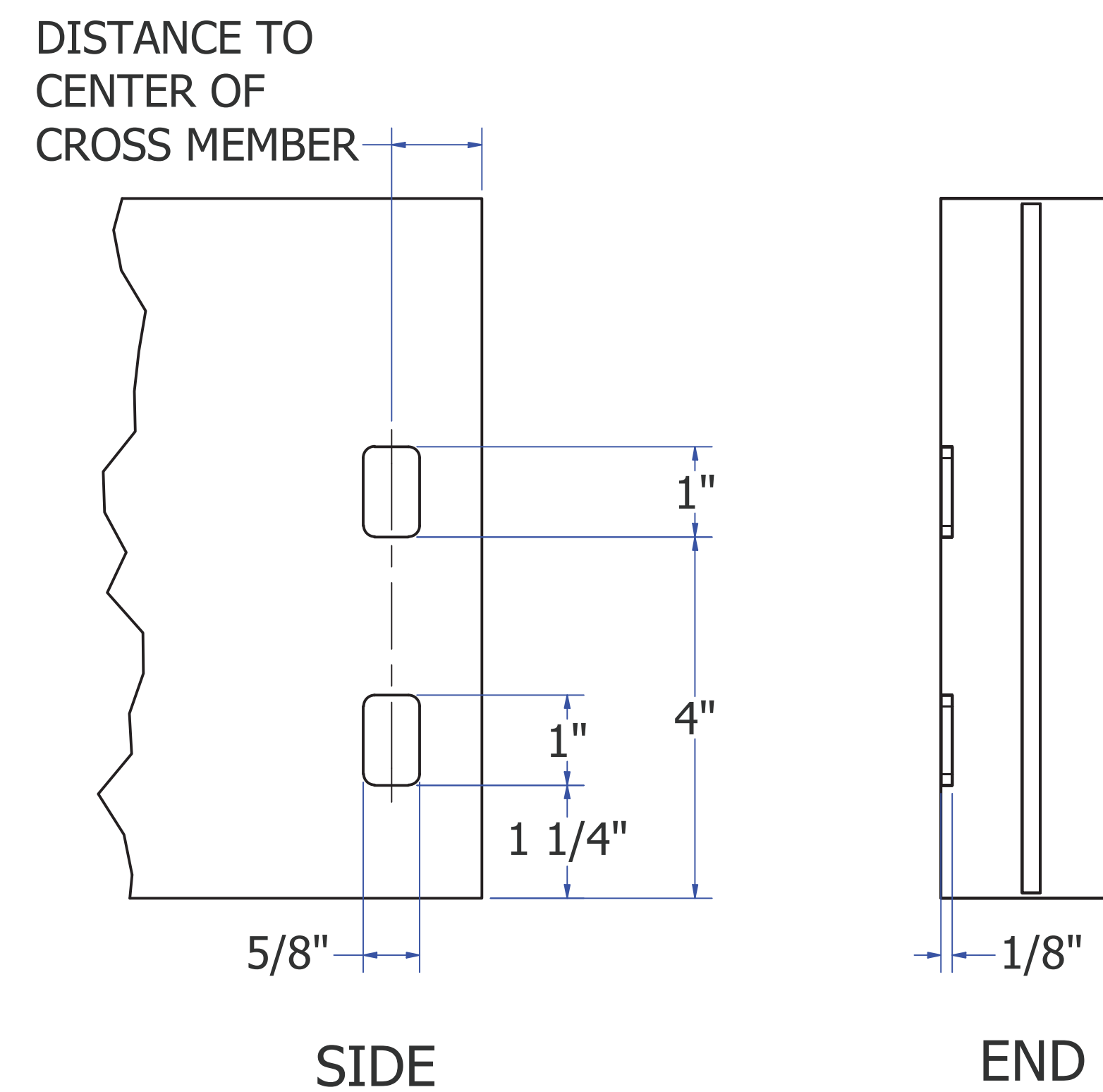
ISO - MAIN



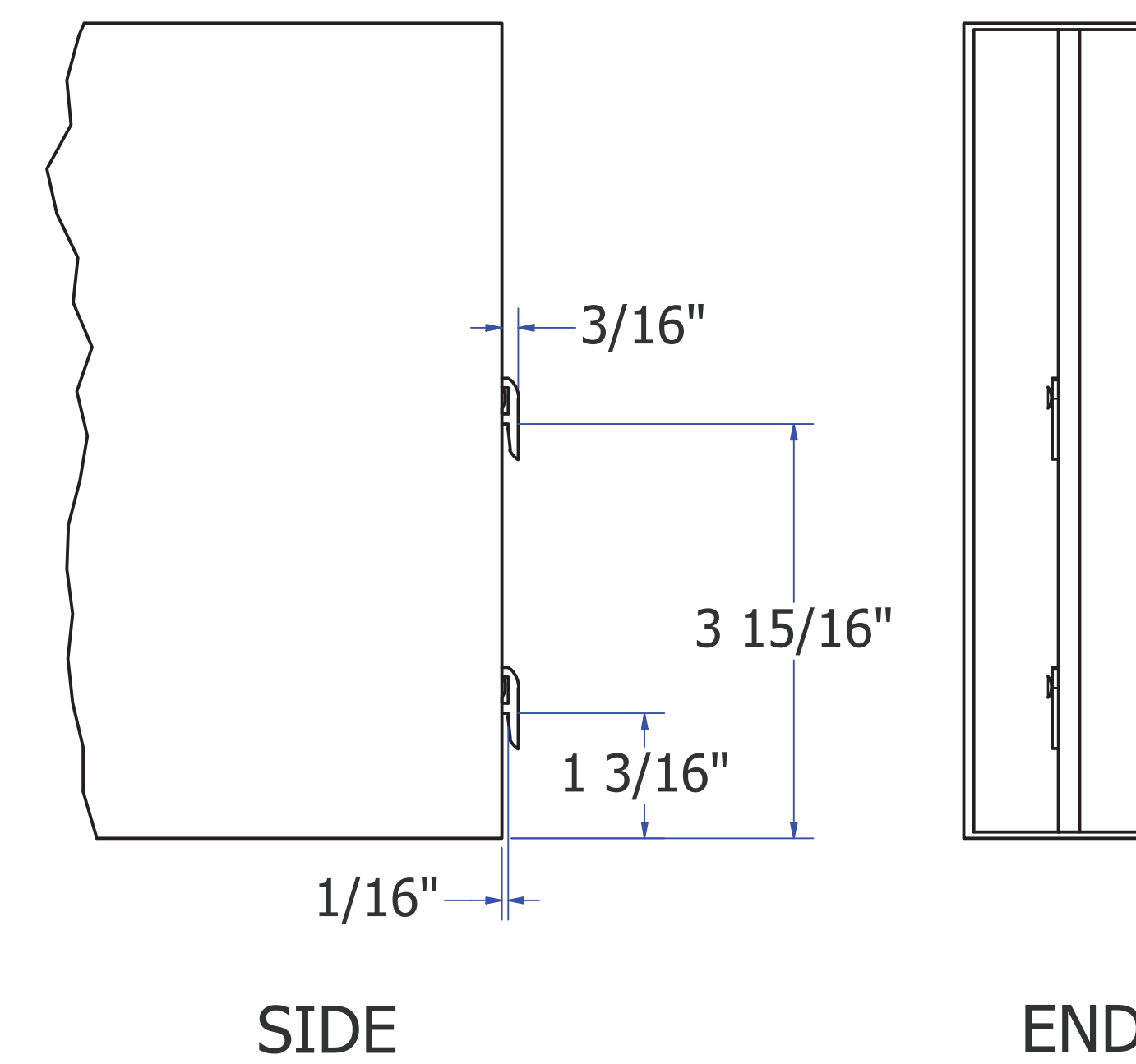
ISO - CROSS MEMBER



A DETAIL - BAFFLE CONNEX ASSEMBLY

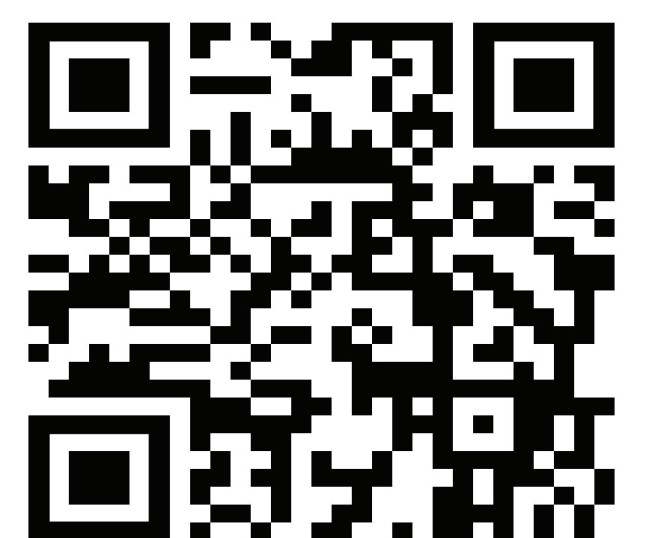


B DETAIL - MAIN



C DETAIL - CROSS MEMBER

Instructional Videos



8-12" Height Baffles

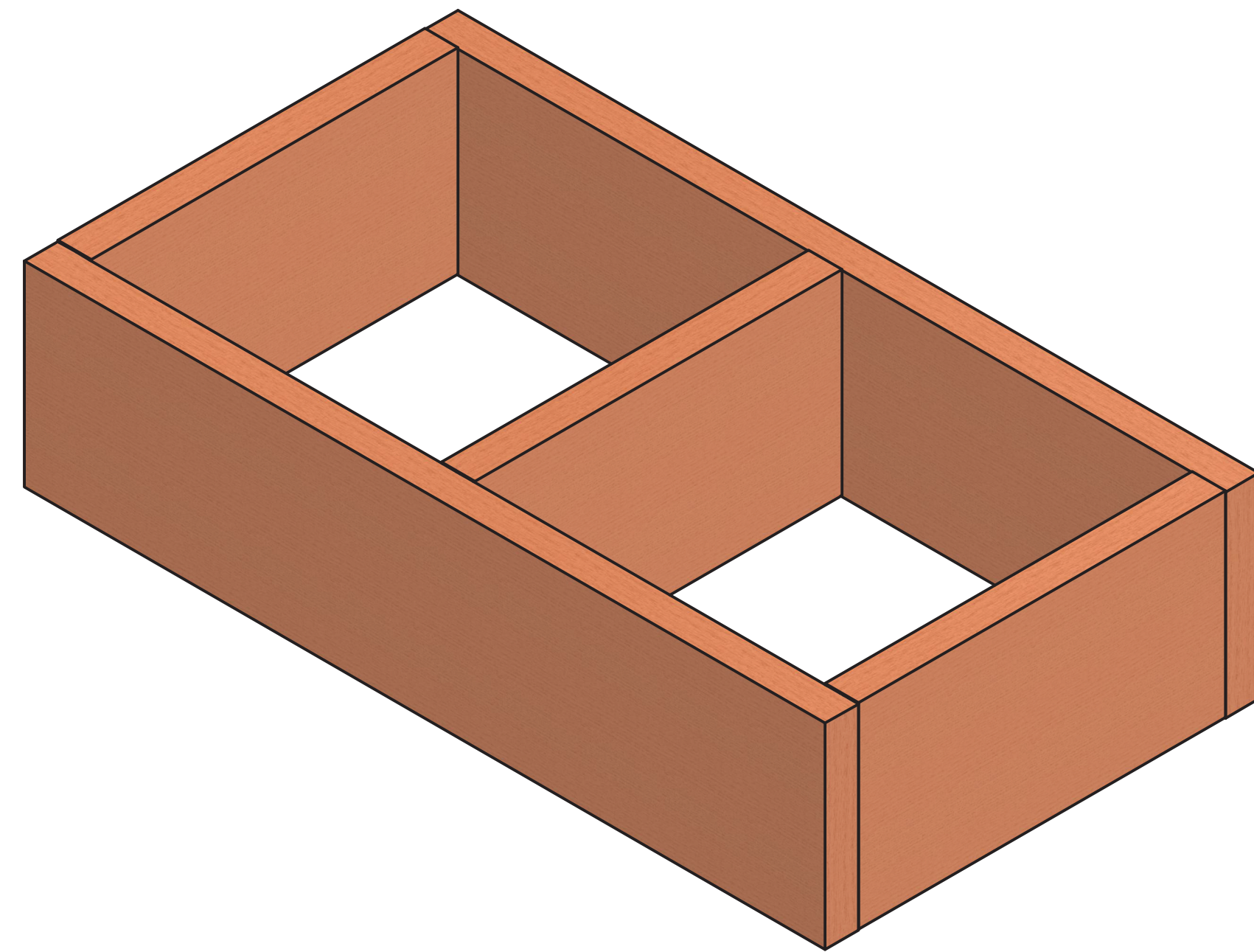


These drawings have been created for illustrative purposes. The depiction of materials are not to be used as a submittal for that product.

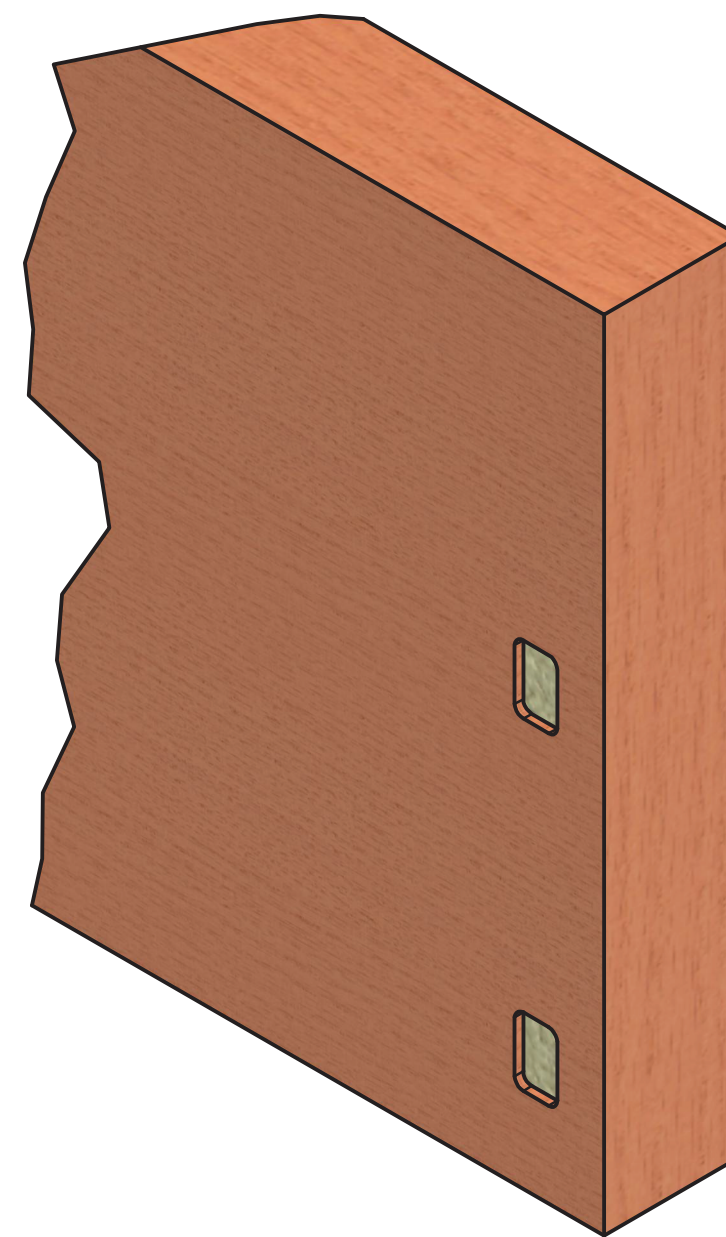
SCALE BASED ON 24" x 36" SHEET SIZE.

SUPPLIED BY NAVY ISLAND

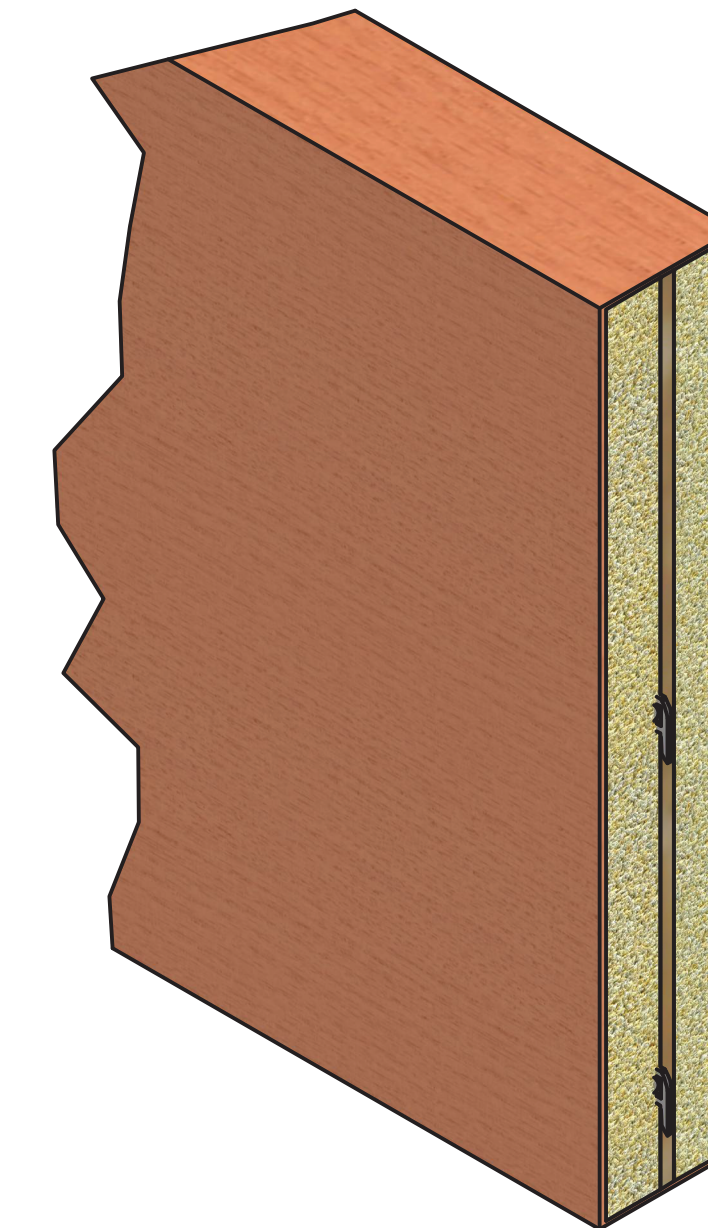
- SOUNDPLY® BAFFLE
- STANDARD SLOT JIG
- TAB LOCK
- #6 X 1" FLAT HEAD SCREW



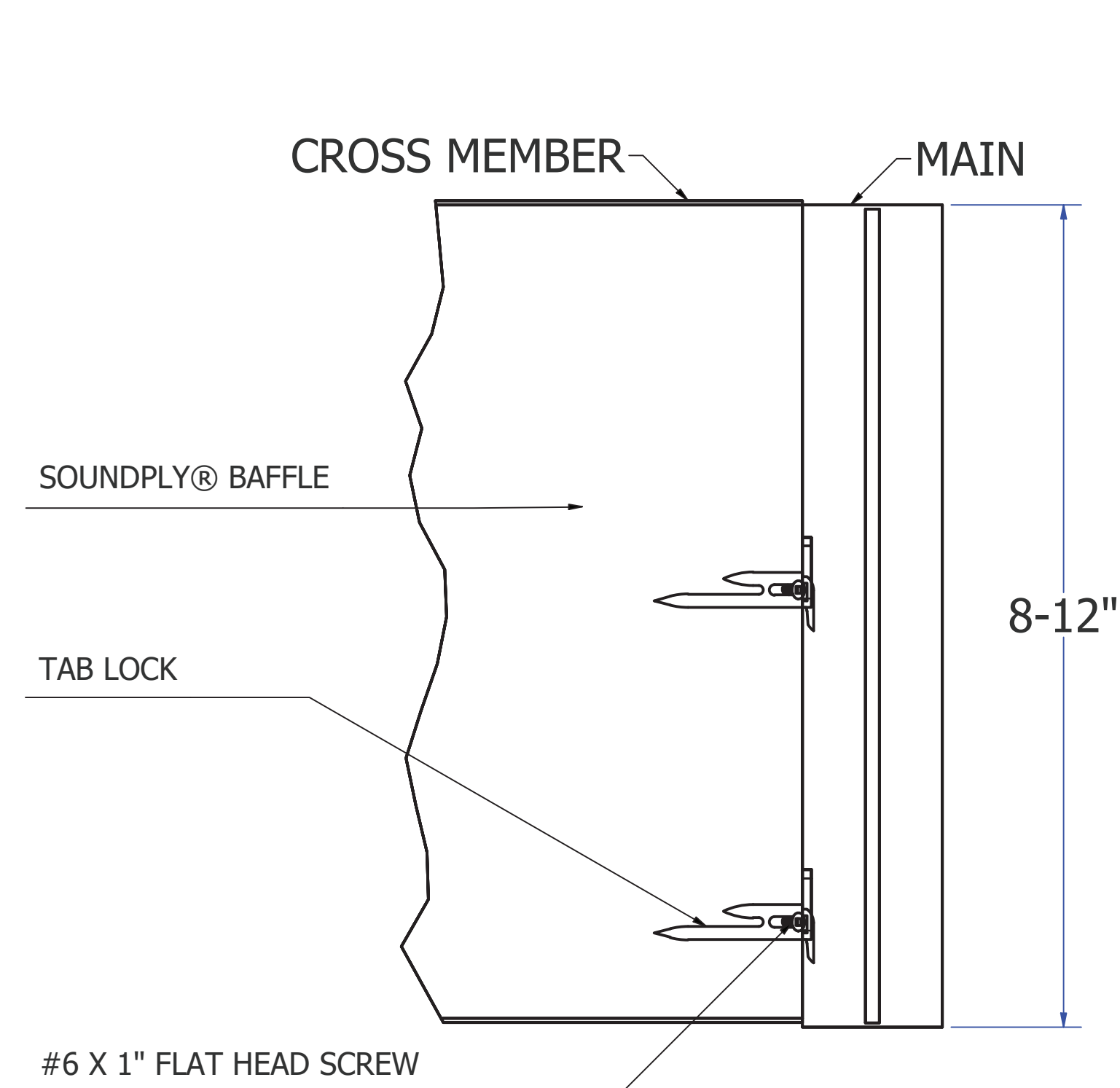
ISO - BAFFLE CONNEX ASSEMBLY



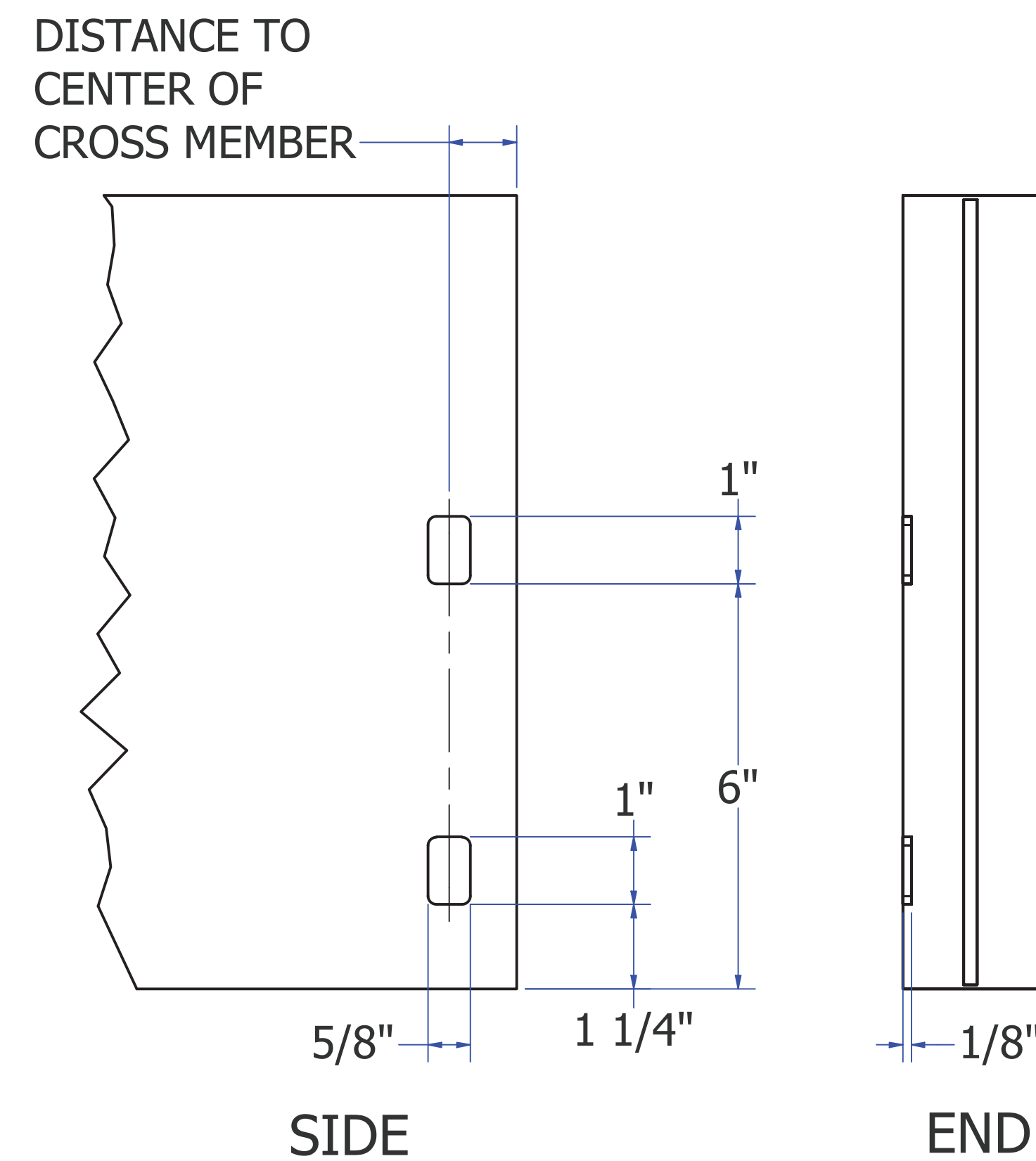
ISO - MAIN



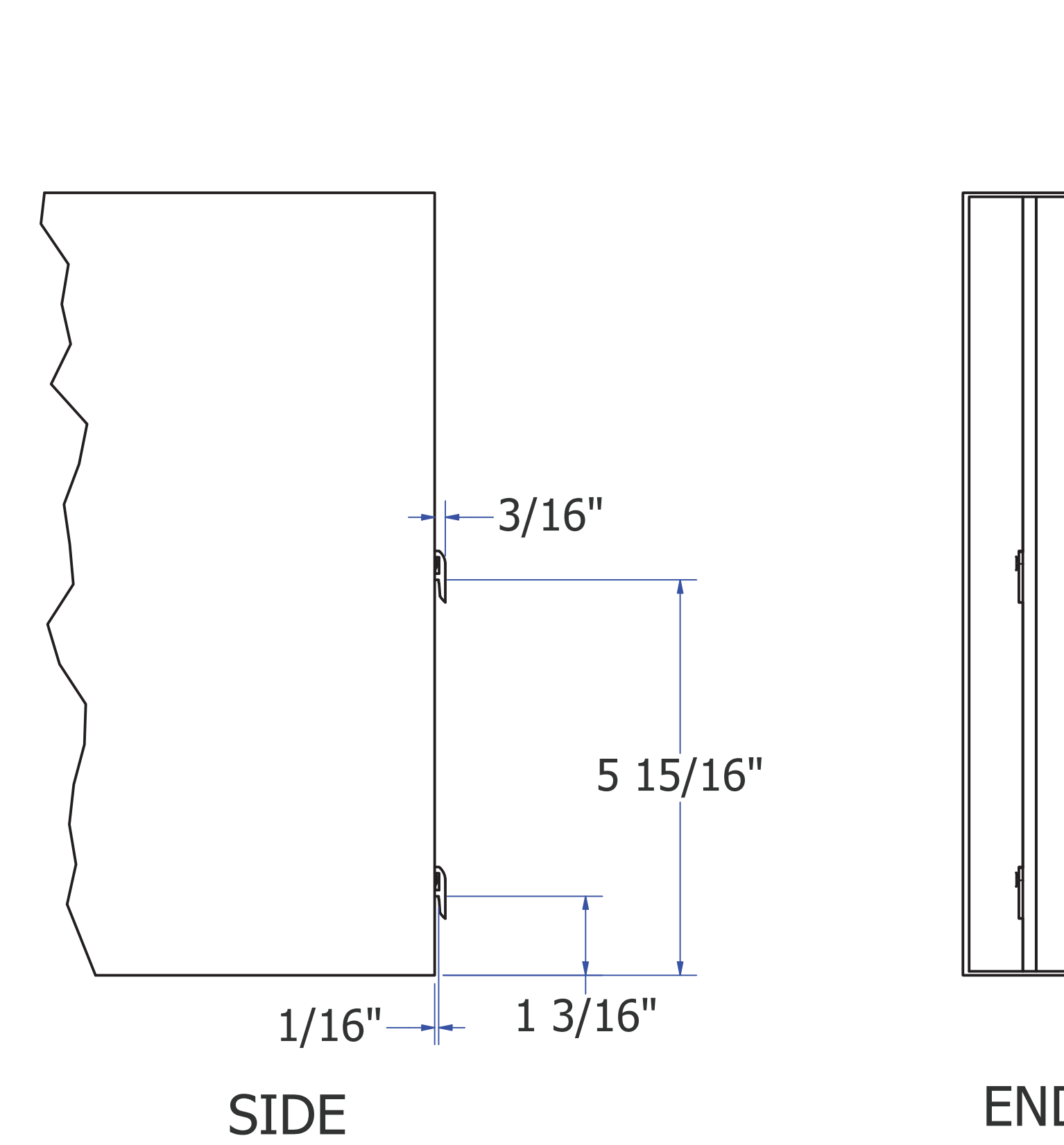
ISO - CROSS MEMBER



A DETAIL - BAFFLE CONNEX ASSEMBLY

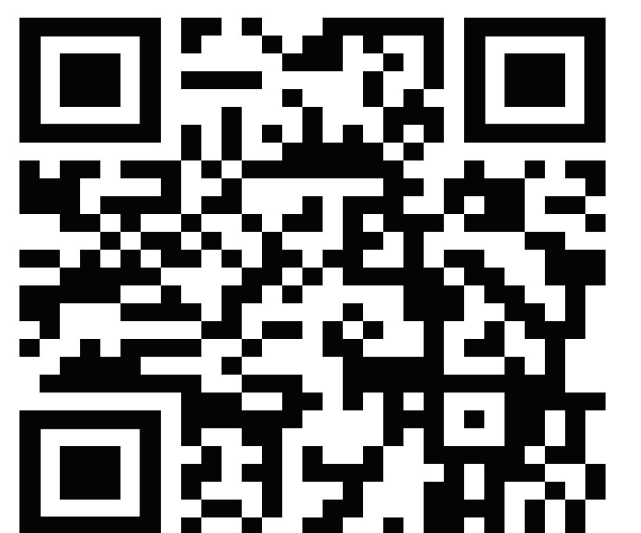


B DETAIL - MAIN



C DETAIL - CROSS MEMBER

Instructional Videos



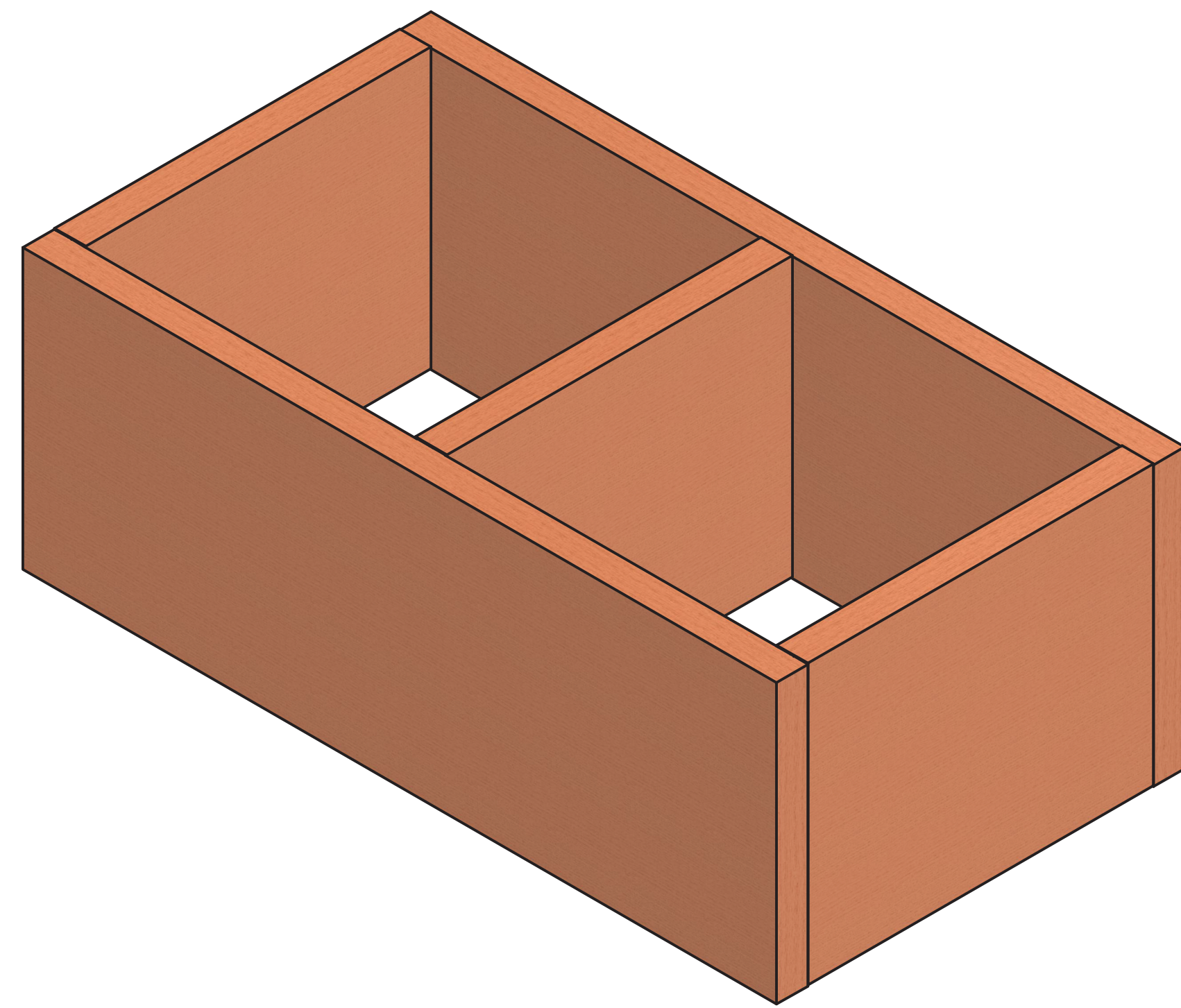
12-20" Height Baffles



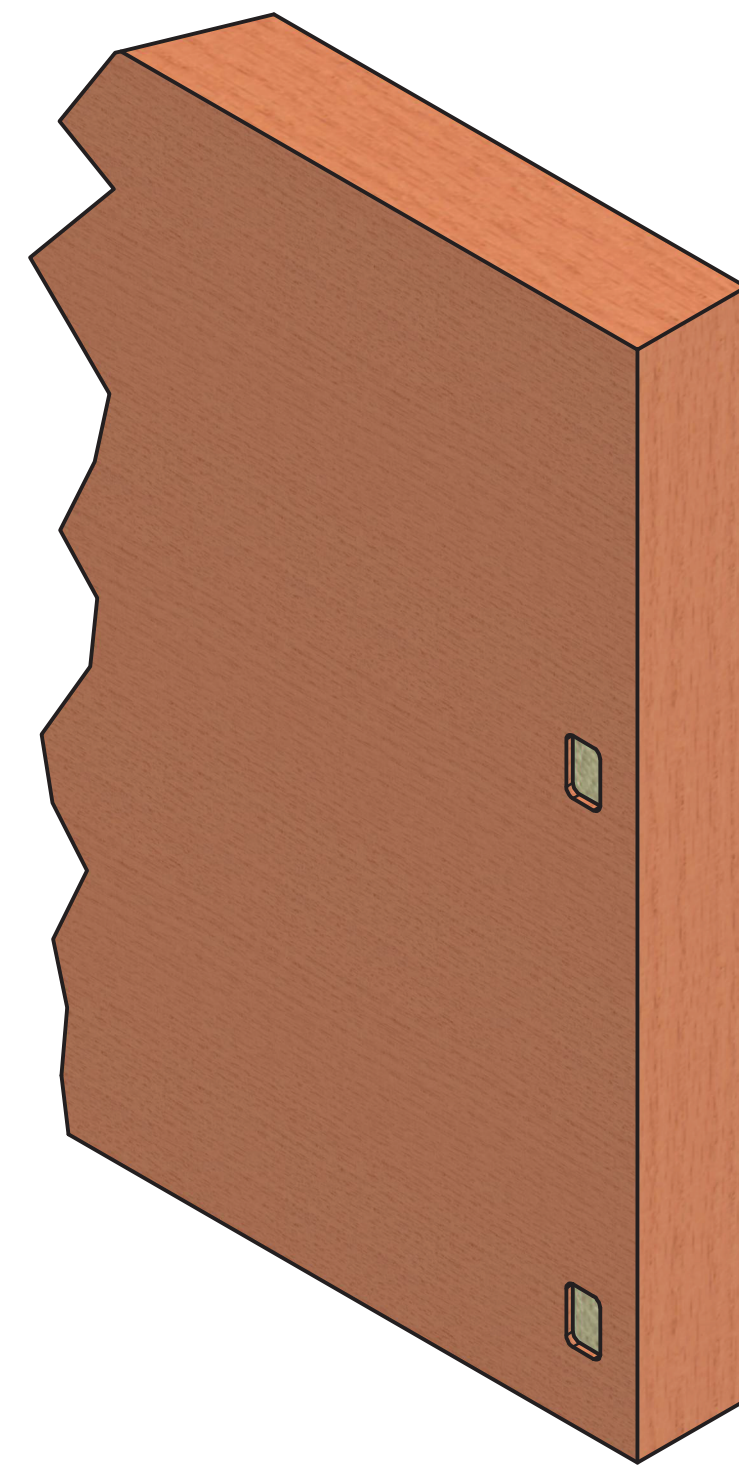
These drawings have been created for illustrative purposes. The depiction of materials are not to be used as a submittal for that product.

SCALE BASED ON 24" x 36" SHEET SIZE.

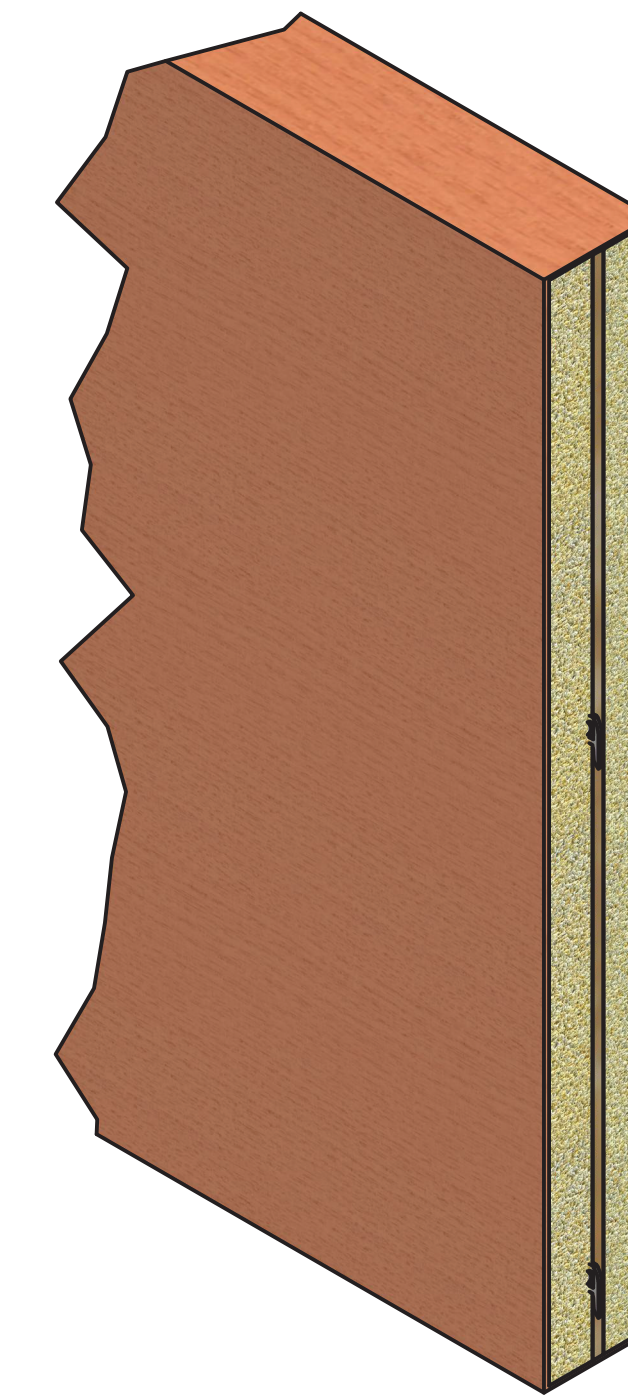
SUPPLIED BY NAVY ISLAND
SOUNDPLY® BAFFLE
TALL SLOT JIG
TAB LOCK
#6 X 1" FLAT HEAD SCREW



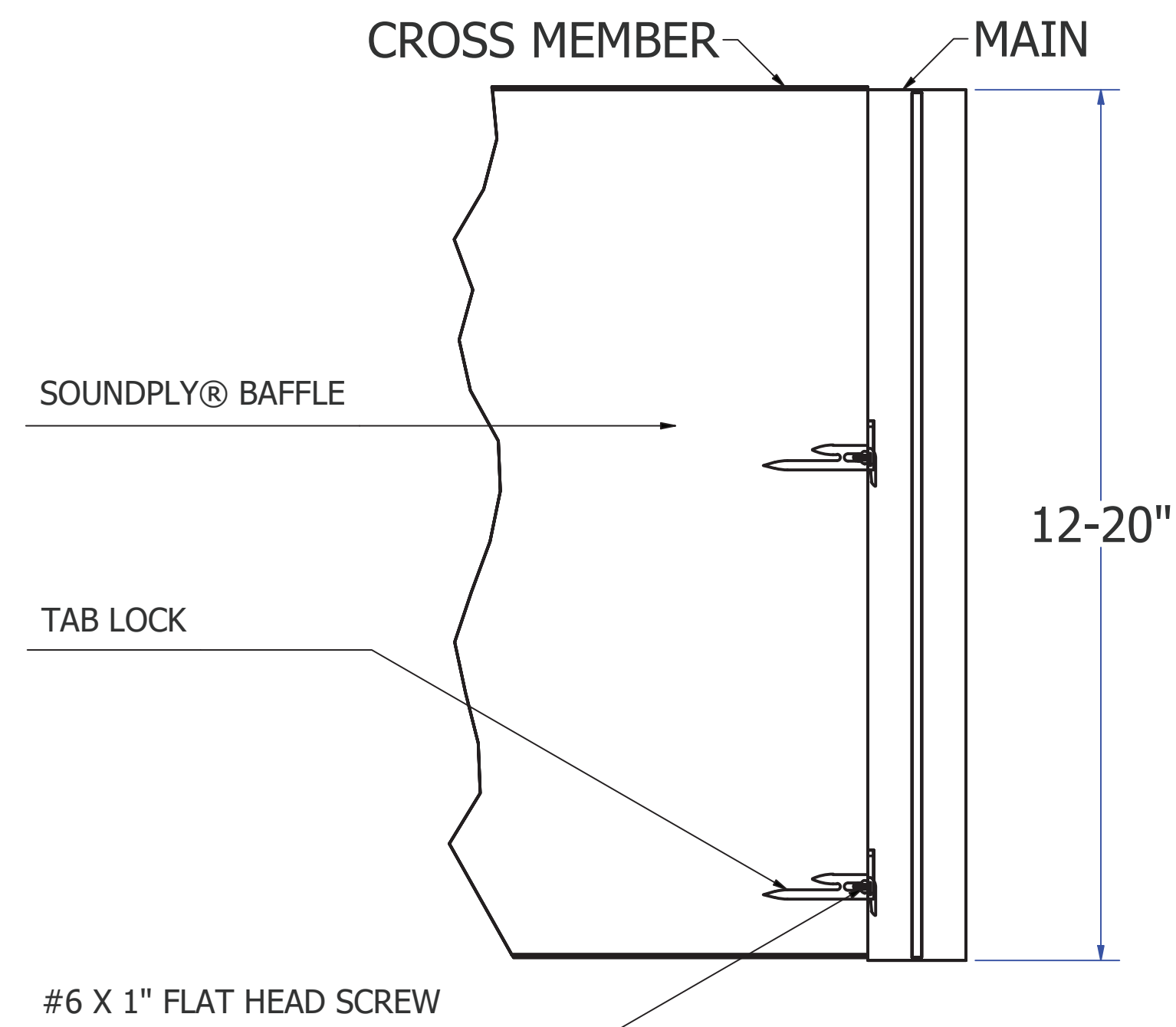
ISO - BAFFLE CONNEX ASSEMBLY



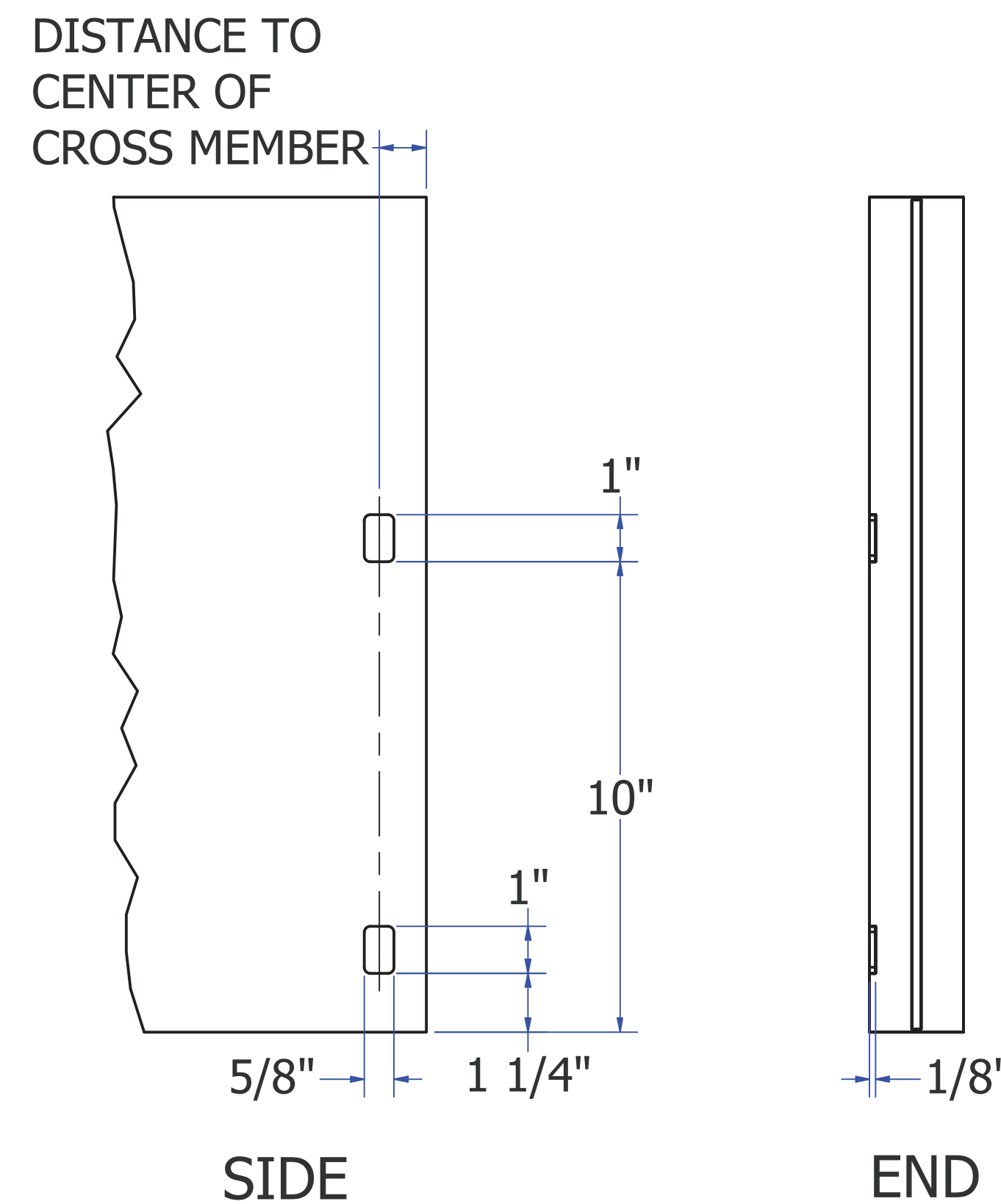
ISO - MAIN



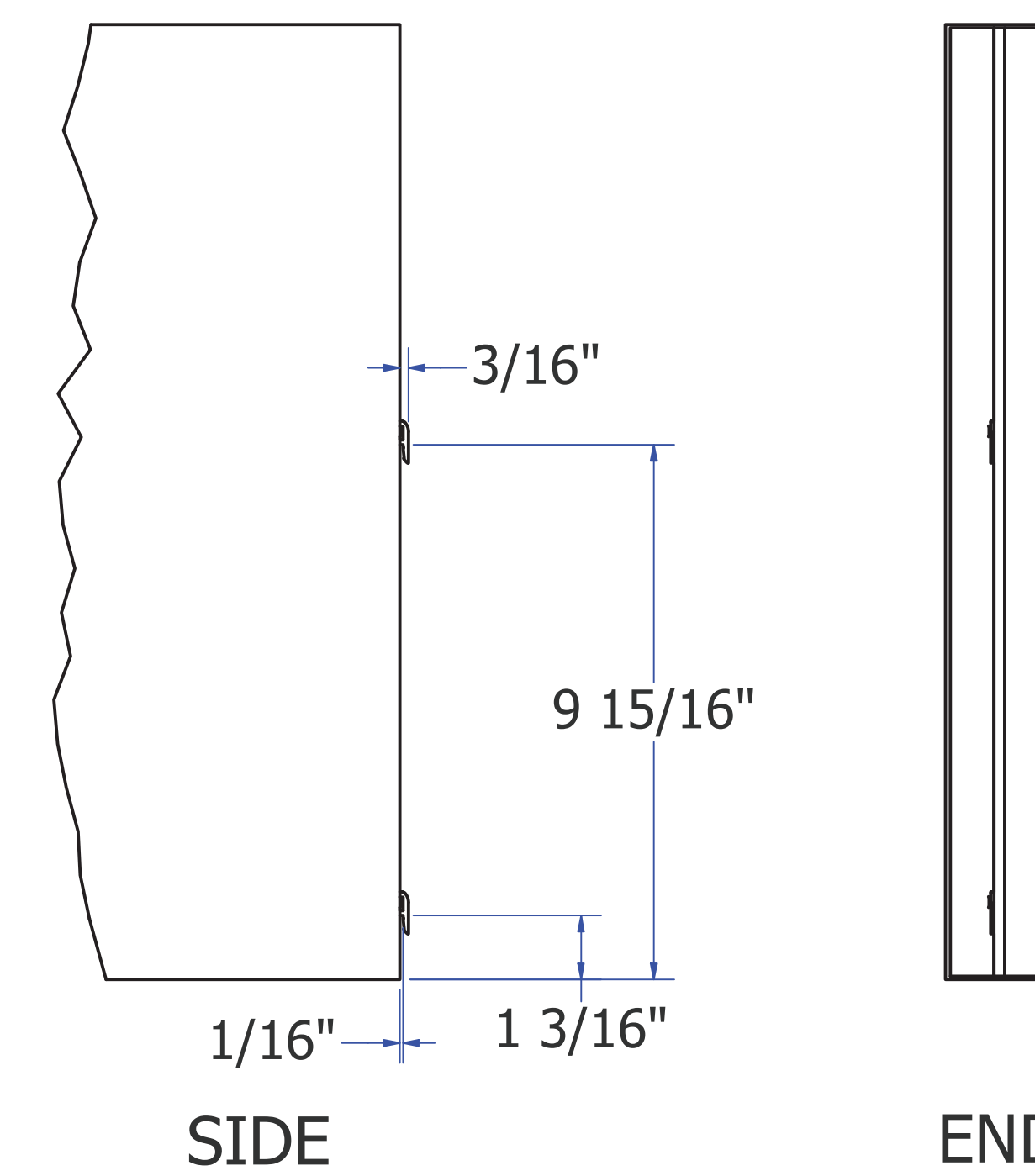
ISO - CROSS MEMBER



A DETAIL - BAFFLE CONNEX ASSEMBLY

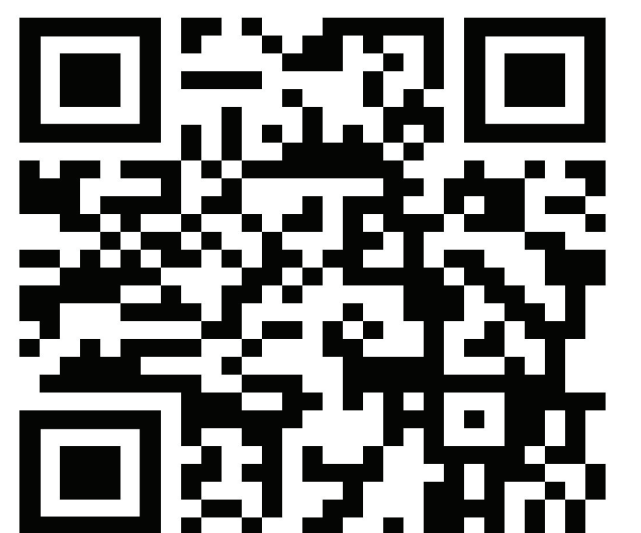


B DETAIL - MAIN



C DETAIL - CROSS MEMBER

Instructional Videos



Varying Height Baffles

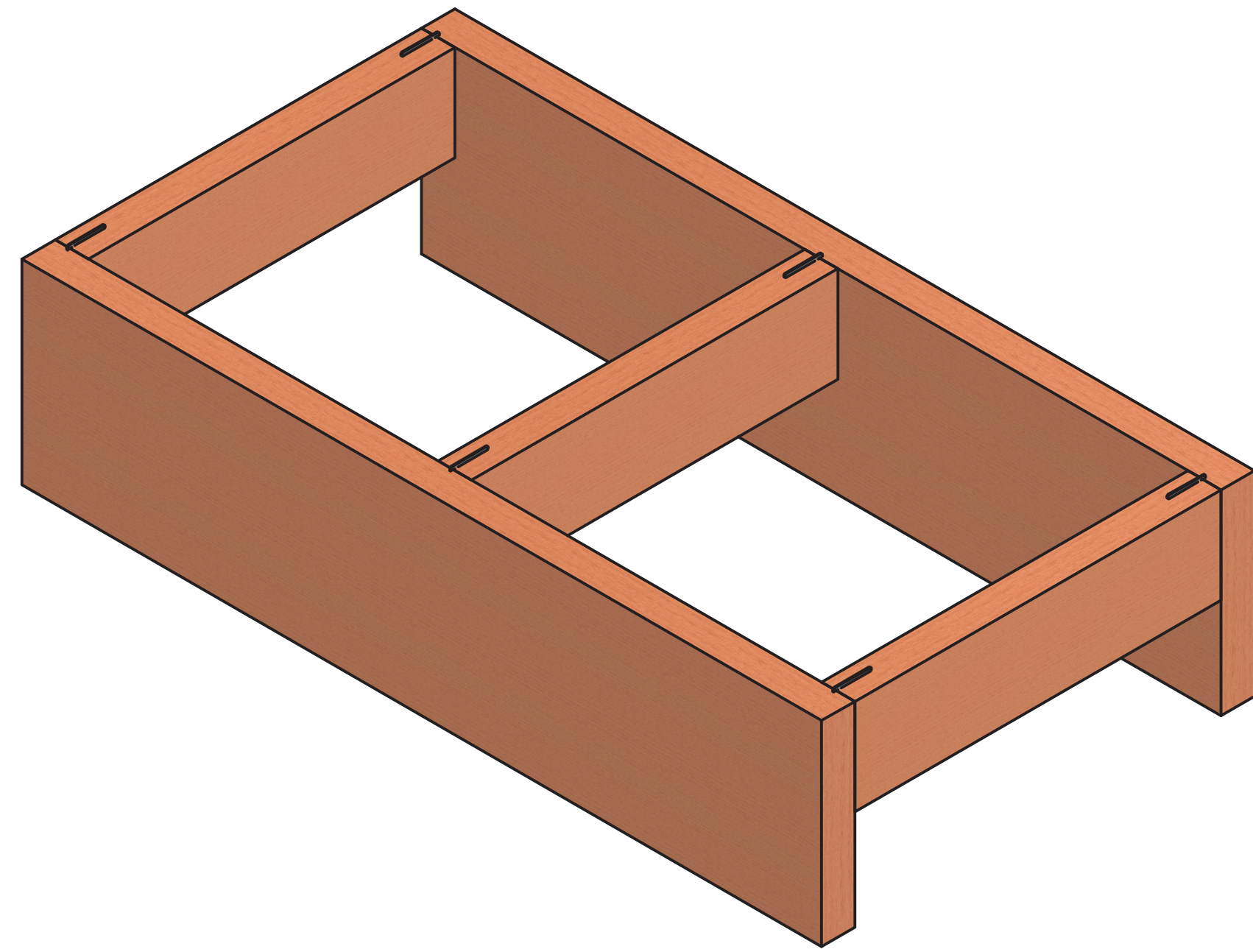


These drawings have been created for illustrative purposes. The depiction of materials are not to be used as a submittal for that product.

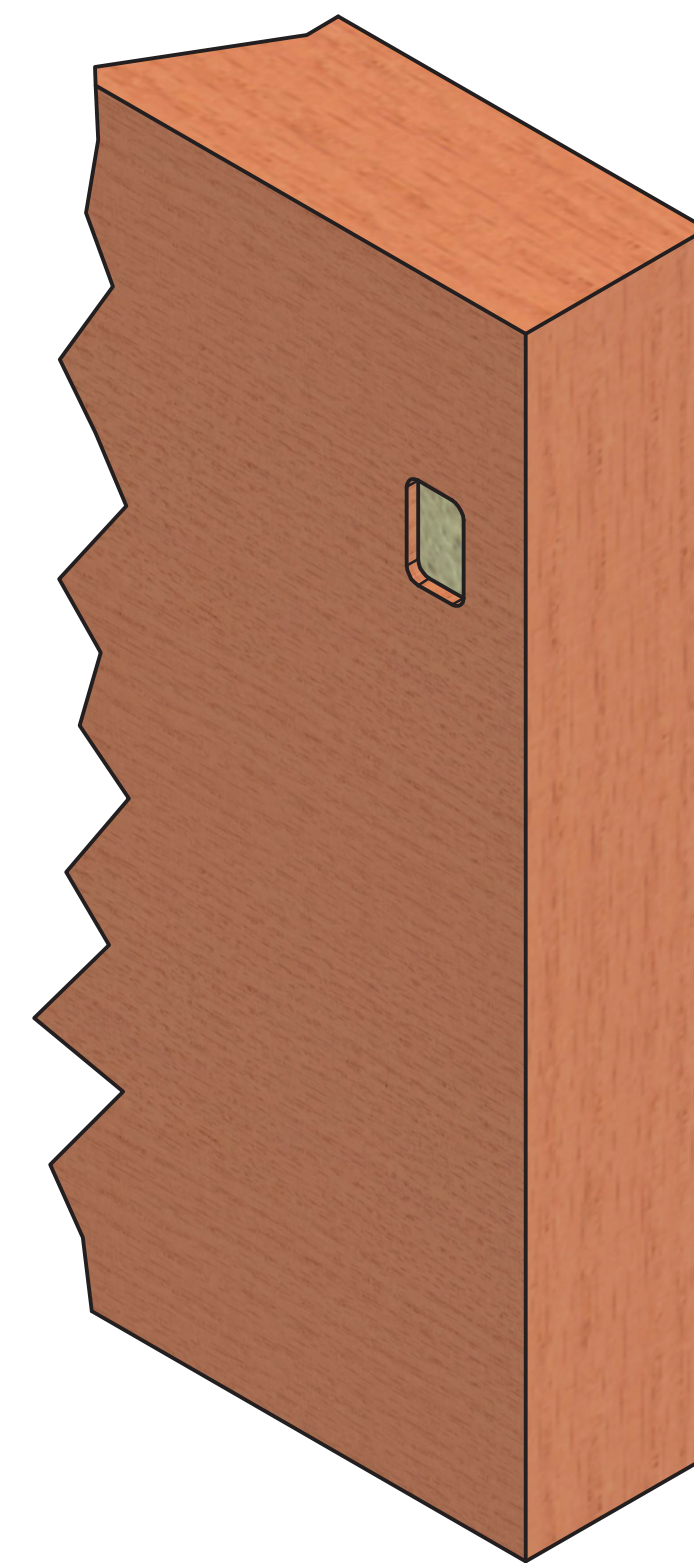
SCALE BASED ON 24" x 36" SHEET SIZE.

SUPPLIED BY NAVY ISLAND

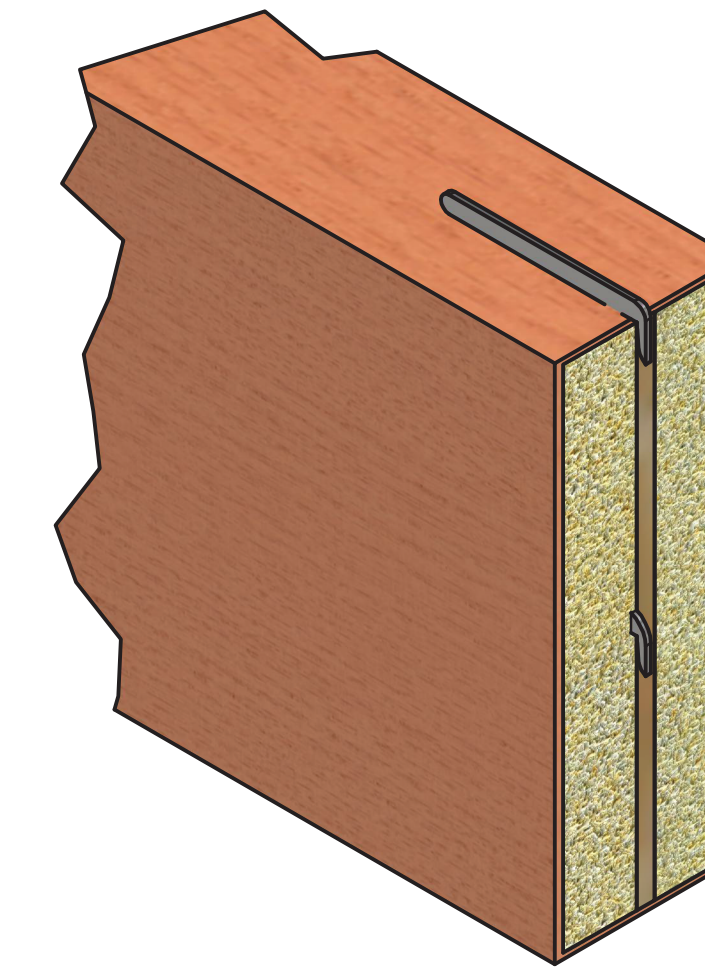
- SOUNDPLY® BAFFLE
- SHORT SLOT JIG
- TWIN TAB LOCK
- #6 X 1" FLAT HEAD SCREW



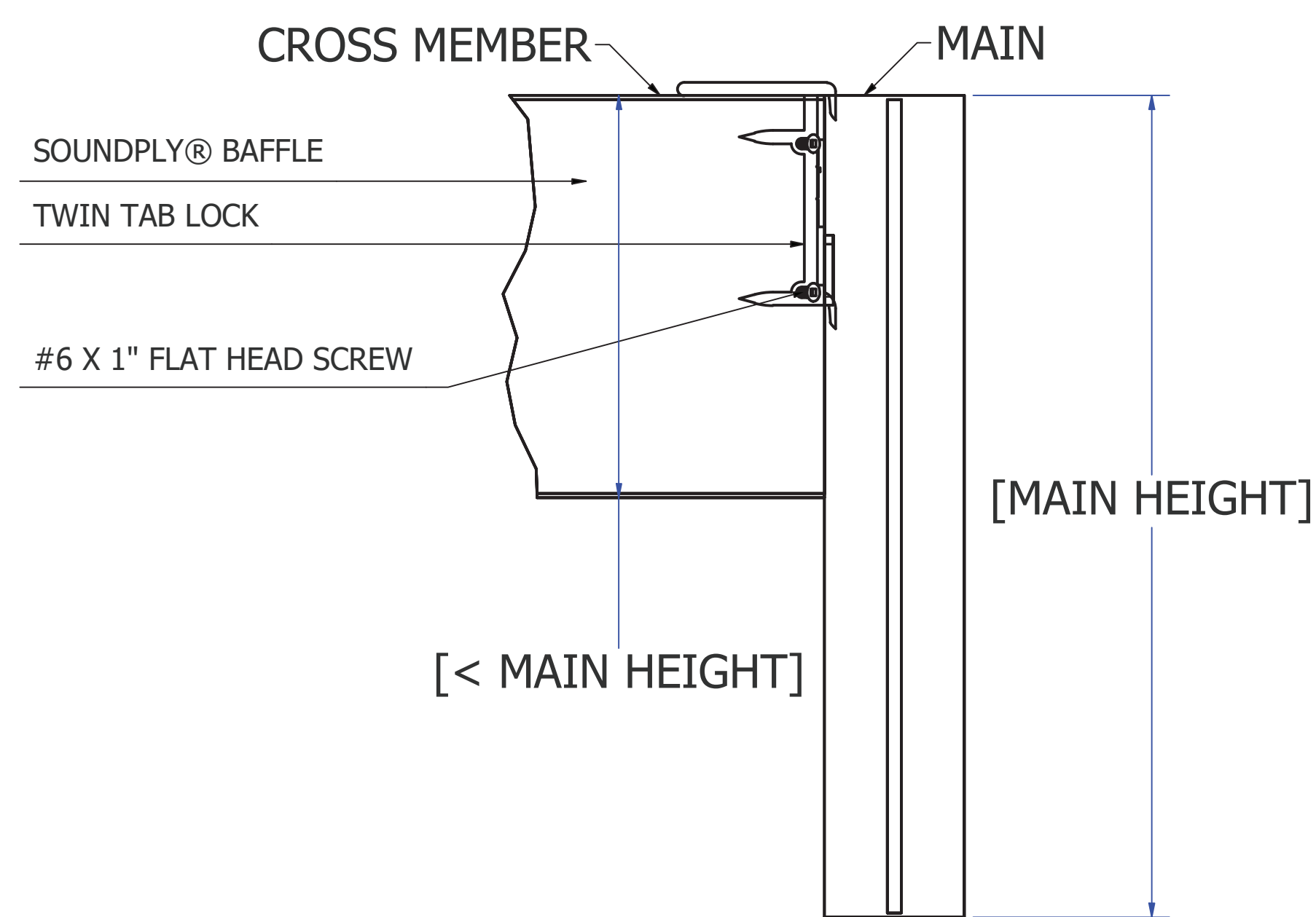
ISO - BAFFLE CONNEX ASSEMBLY



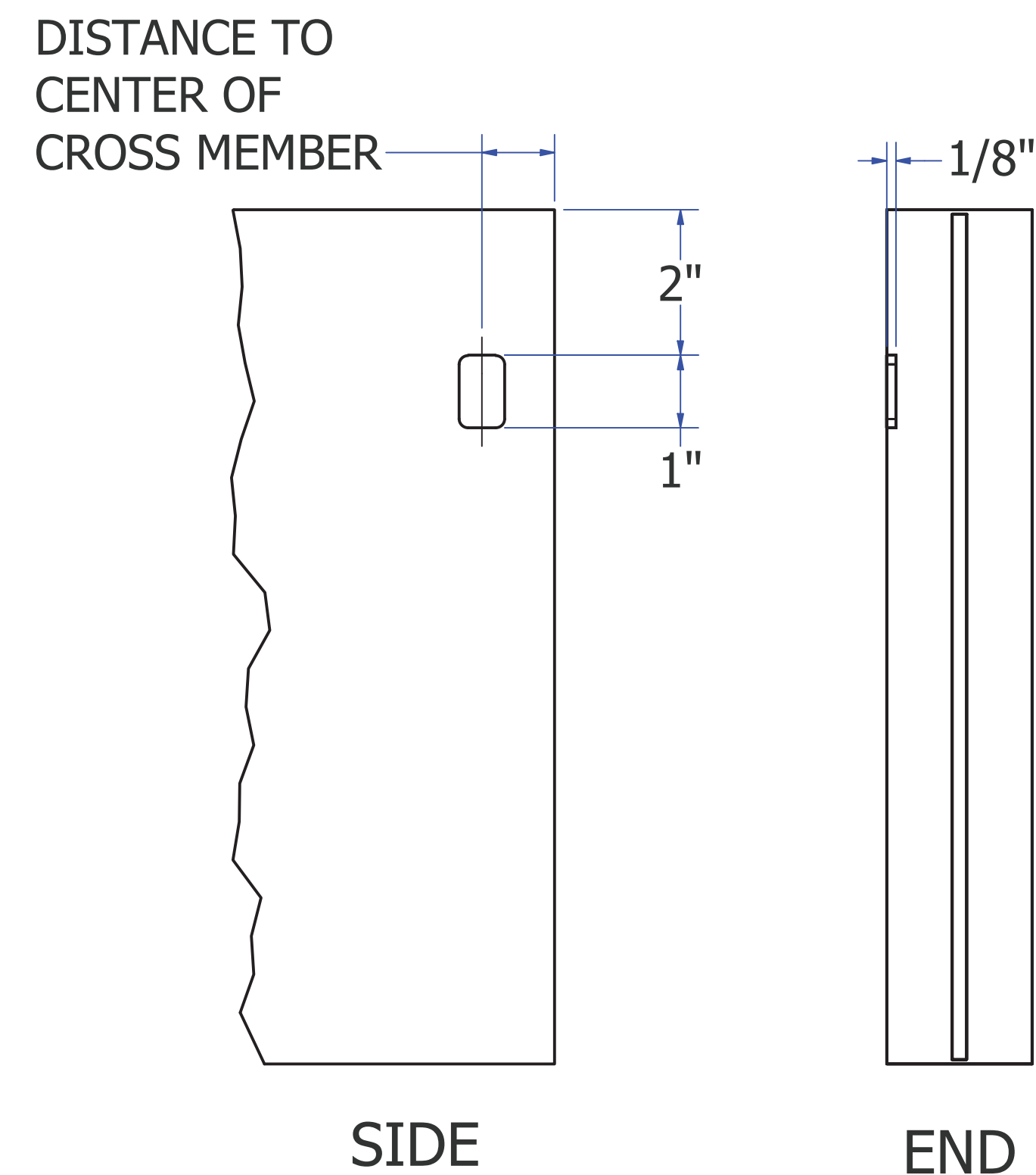
ISO - MAIN



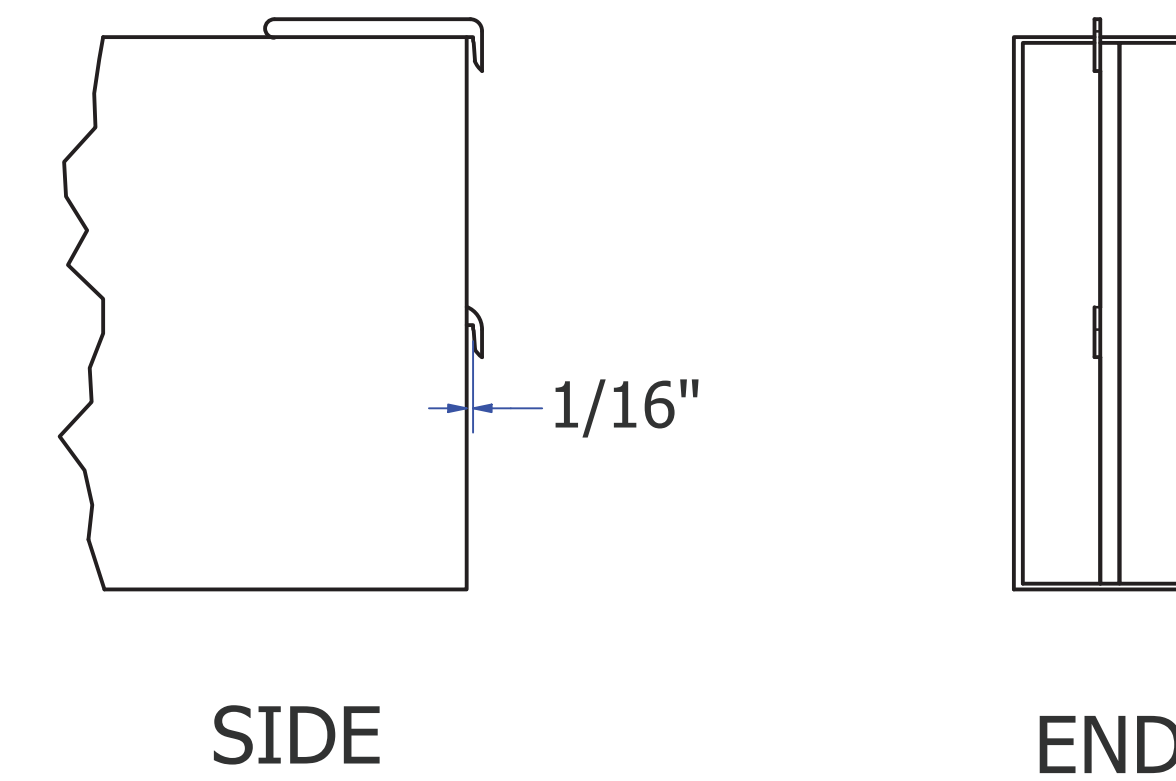
ISO - CROSS MEMBER



A DETAIL - BAFFLE CONNEX ASSEMBLY

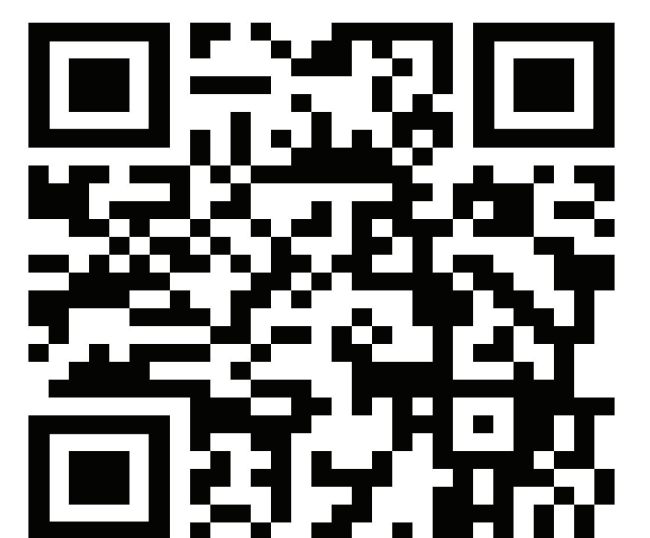


B DETAIL - MAIN

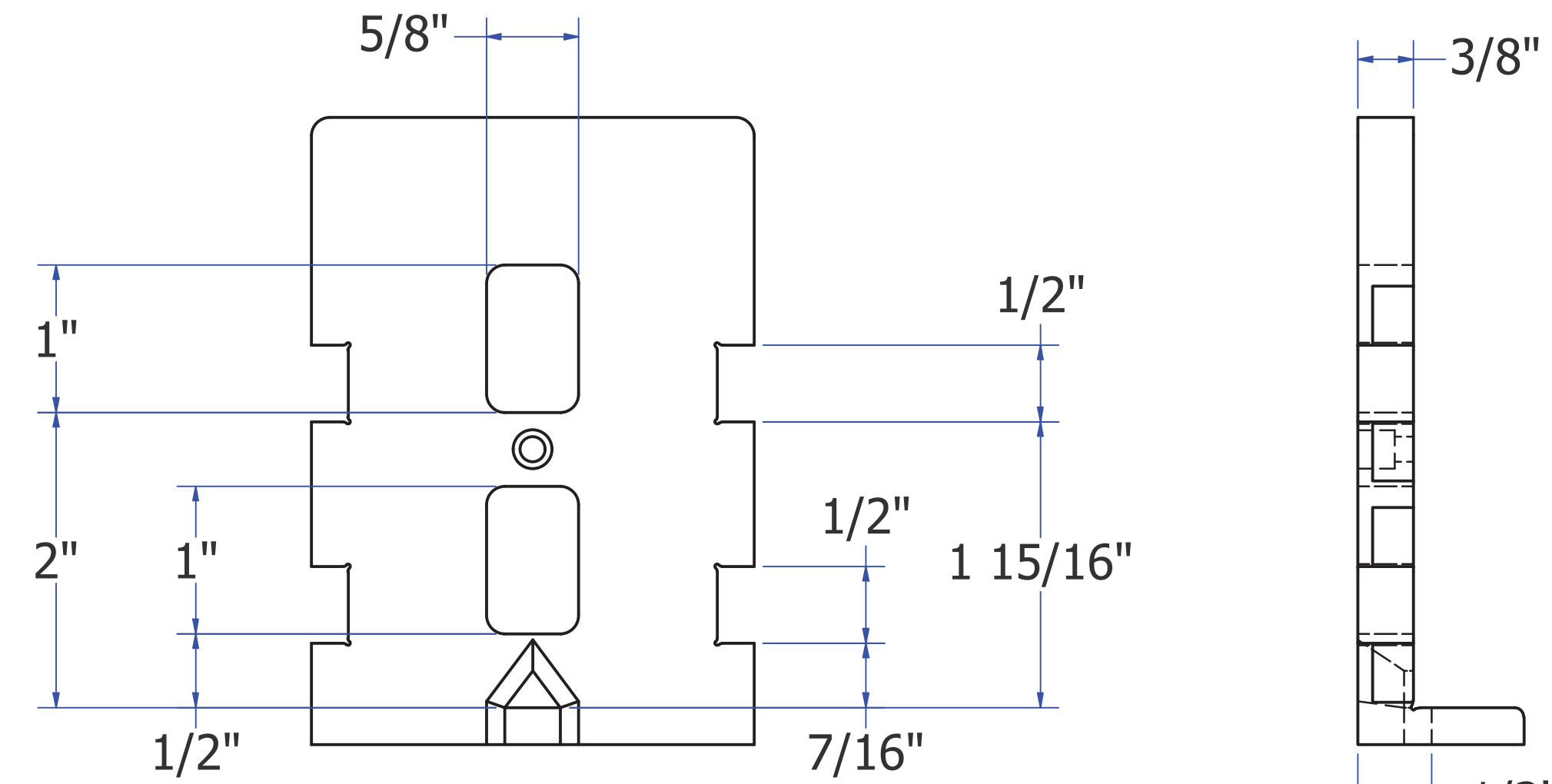


C DETAIL - CROSS MEMBER

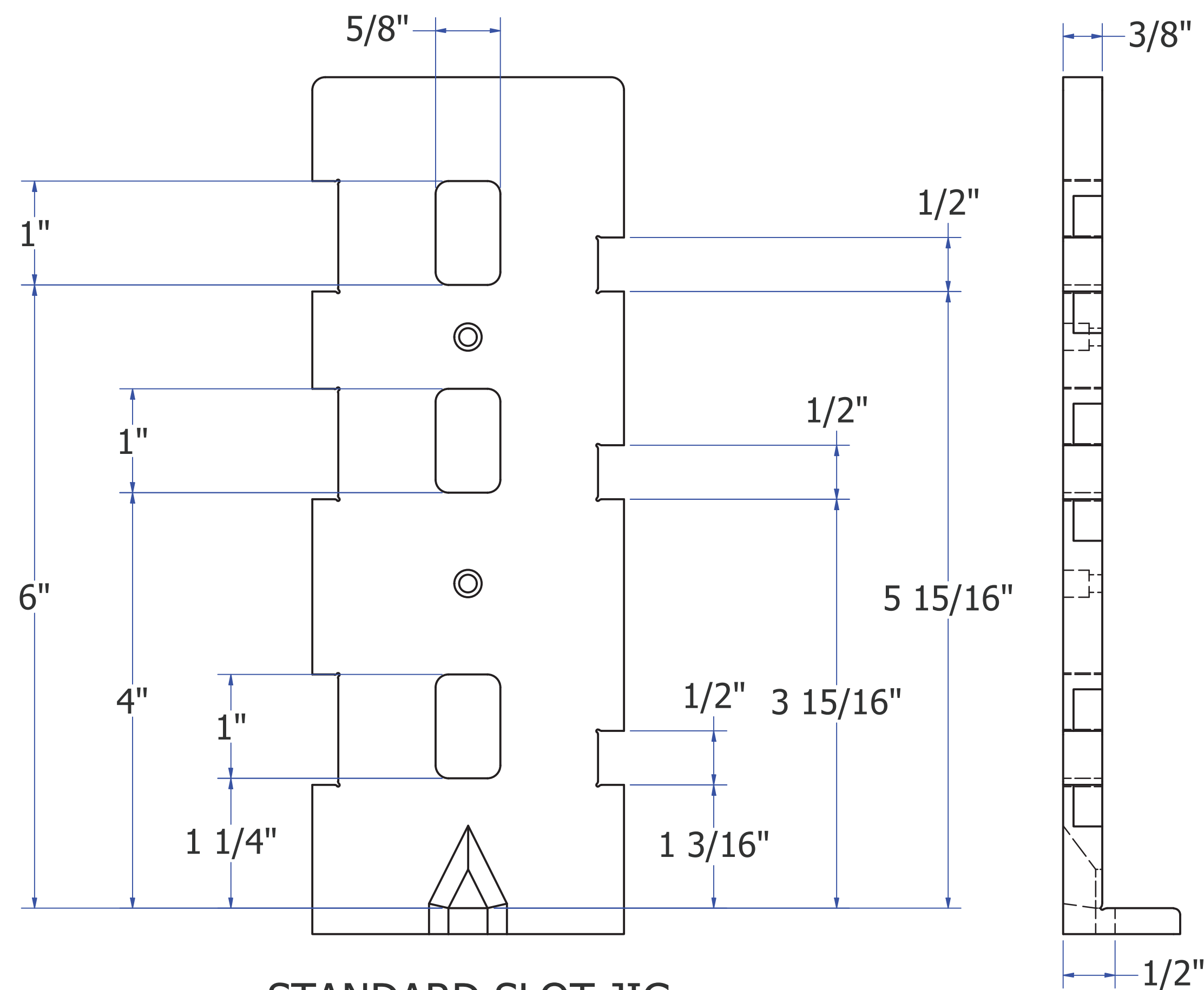
Instructional Videos



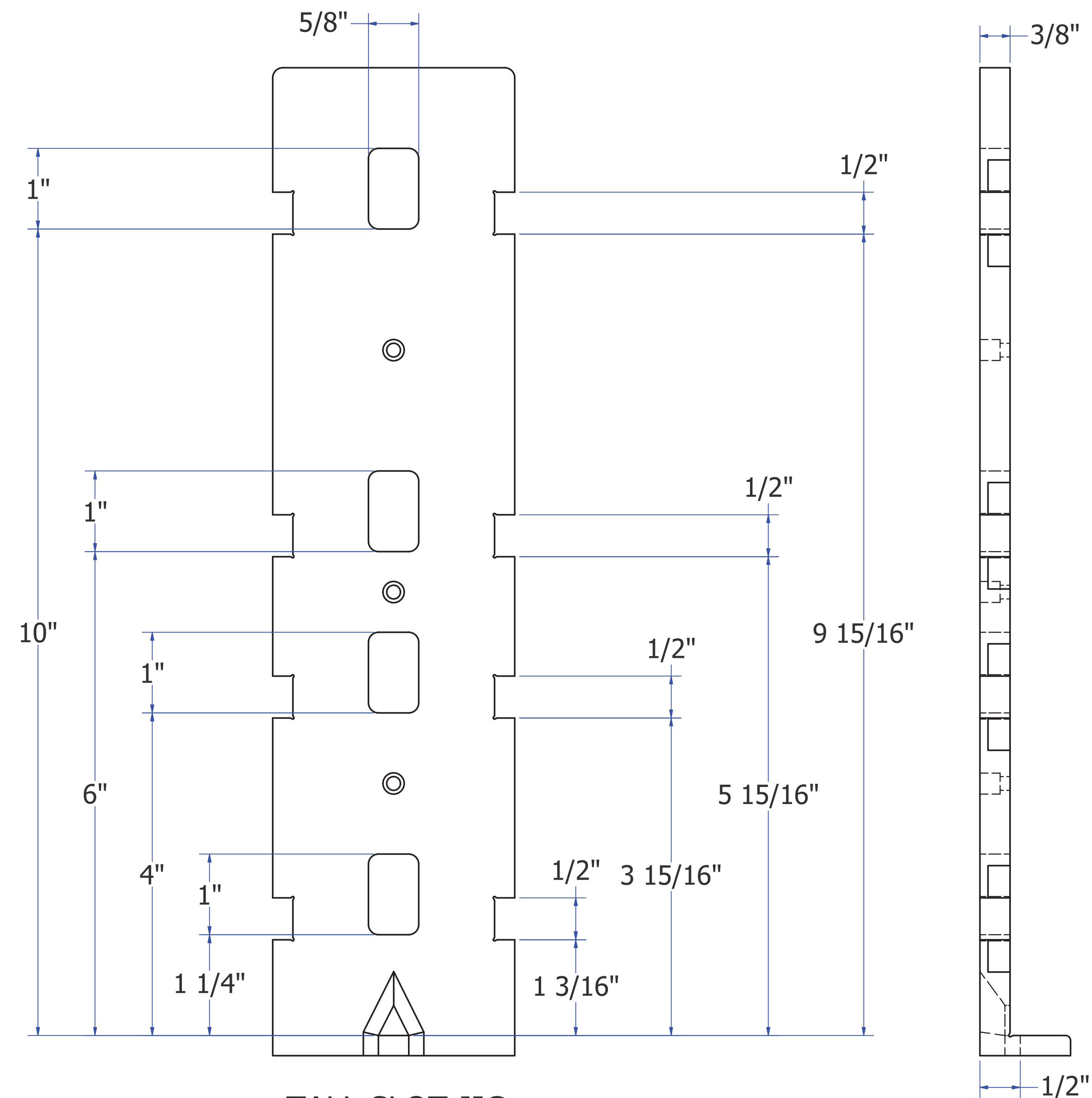
Slot Jigs



SHORT SLOT JIG



STANDARD SLOT JIG



TALL SLOT JIG

Instructional Videos

