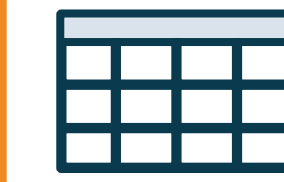
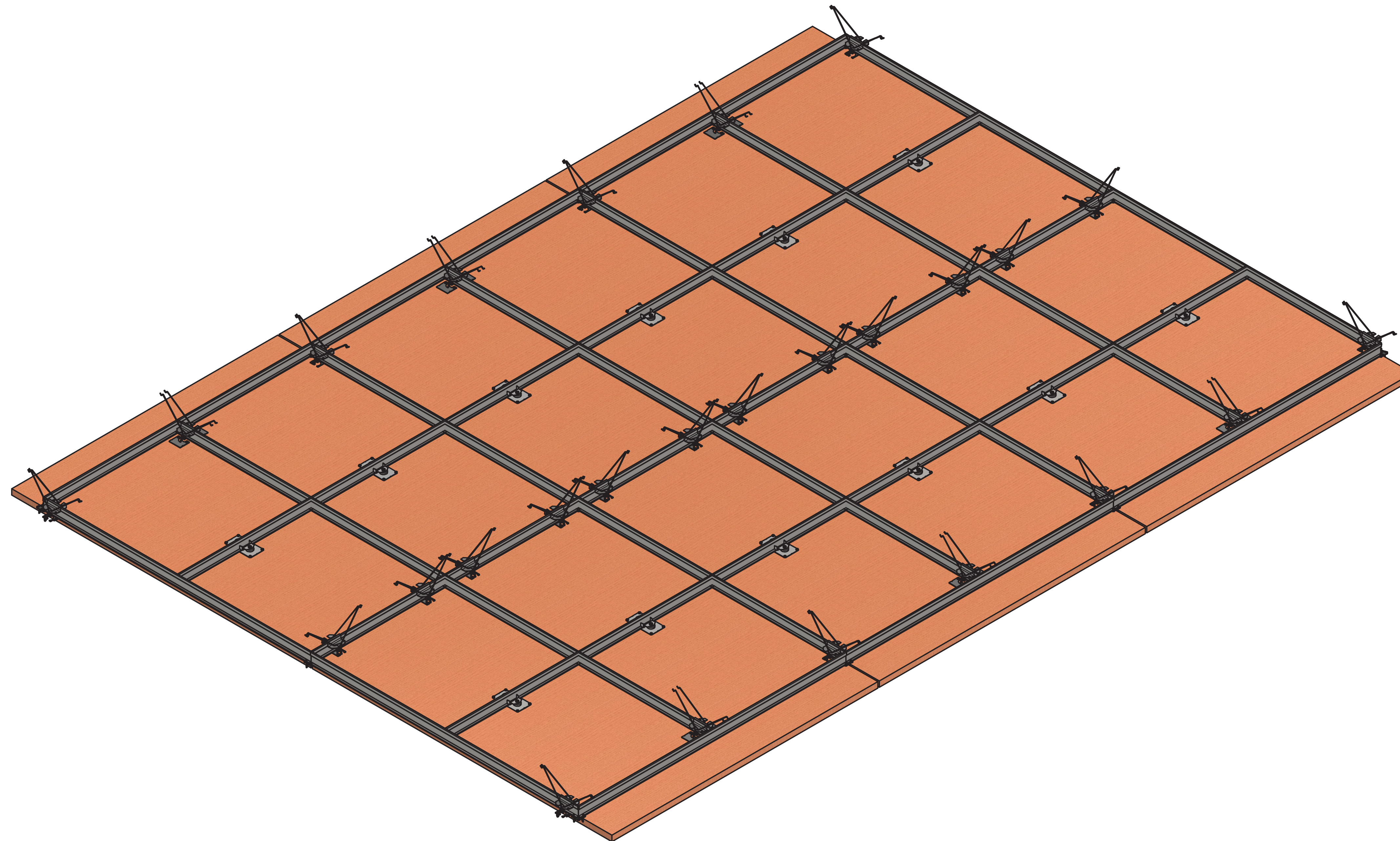


Ceiling Panel Attachments

SoundPly® Alta and Hard Panels



Ceiling Panel Options

Page 2



Hardware List

Page 3

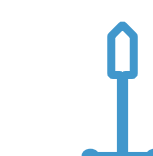


Direct to Deck



Fixed Panel

Page 4



Direct to Grid



Fixed Panel

Page 5



Pull-down Panel

Page 6-7

Ceiling Panel Options

SoundPly® and Hard Panels



		SOUNDPLY	Hard Panel
Fixed Panel Direct to Deck		✓	✓
Fixed Panel on Ceiling Grid		✓	✓
Pull-down Panel on Ceiling Grid		✓	✓

Hardware List



Supplied by Navy Island

Name	Part Number
5/8" Grid Clip	H104-0569
5/8" Z-Bar 6'	H104-0571
5/8" Z-Bar 12'	H104-0539
5/8" Z-Clip	H104-1043
6" Torsion Spring	H101-1292
Alignment Cross 1/4"	H102-0617
Edge Spring Retainer	H101-0811
Field Spring Retainer	H101-1334
Full Saddle	H101-0548
Half Saddle	H101-0564
HD Alignment Cross 1/8"	H102-0991
HD Alignment Cross 1/4"	H102-0922
HD Alignment Cross 1/2"	H102-0987

Name	Part Number
Helix Screw	HA05-0951
Magnet Holder	H103-1276
Magnet Plate	H103-1009
Screw for Hard Panel	HA01-0545
Twist Clip	H105-1278
SoundPly® Alta Panel	
Hard Panel	

Supplied by Others

Name	Description
Ceiling Grid	15/16" Heavy Duty T-Grid, Min 1-1/2" Tall
Fastener for Z-Bar	Varies based on mounting substrate, Z-Bar must be secured to structure

Fixed Panel - Direct to Deck



These drawings have been created for illustrative purposes. The depiction of materials are not to be used as a submittal for that product.

SCALE BASED ON 24" x 36" SHEET SIZE.

SUPPLIED BY NAVY ISLAND

SOUNDPLY® ALTA PANEL

HELIX SCREW

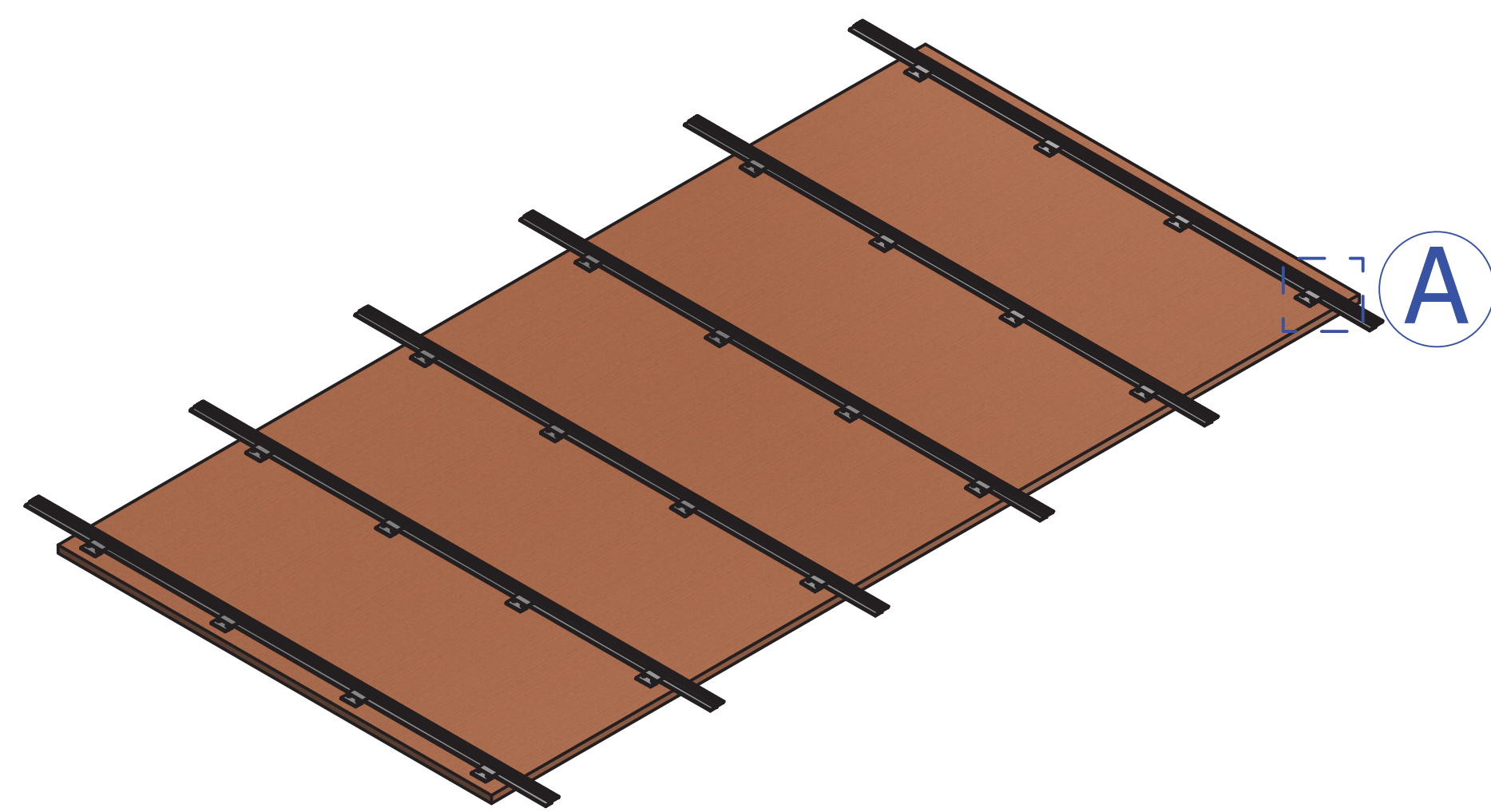
5/8" Z-CLIP

5/8" Z-BAR

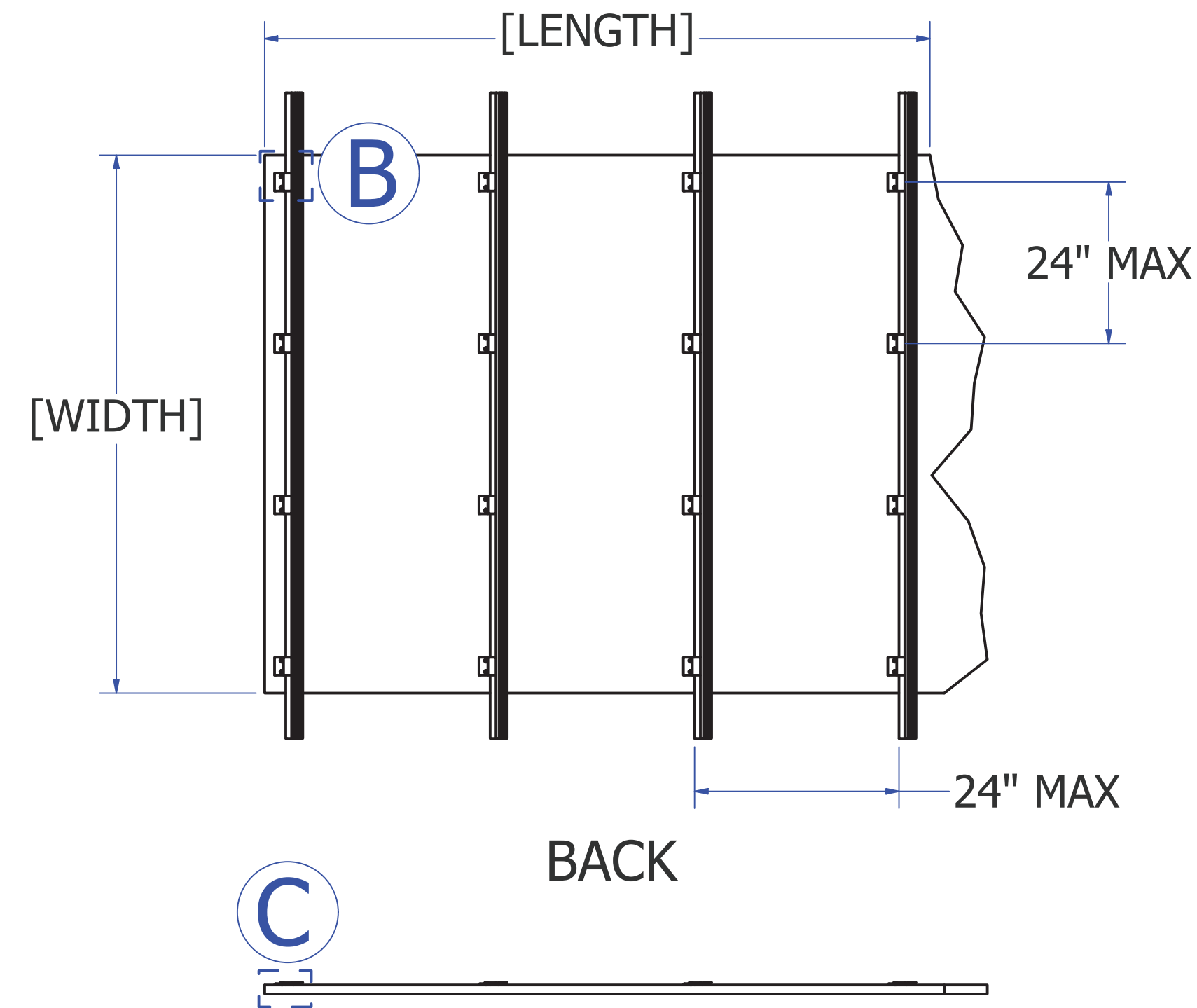
SCREW FOR HARD PANEL

SUPPLIED BY OTHERS

FASTENER FOR Z-BAR



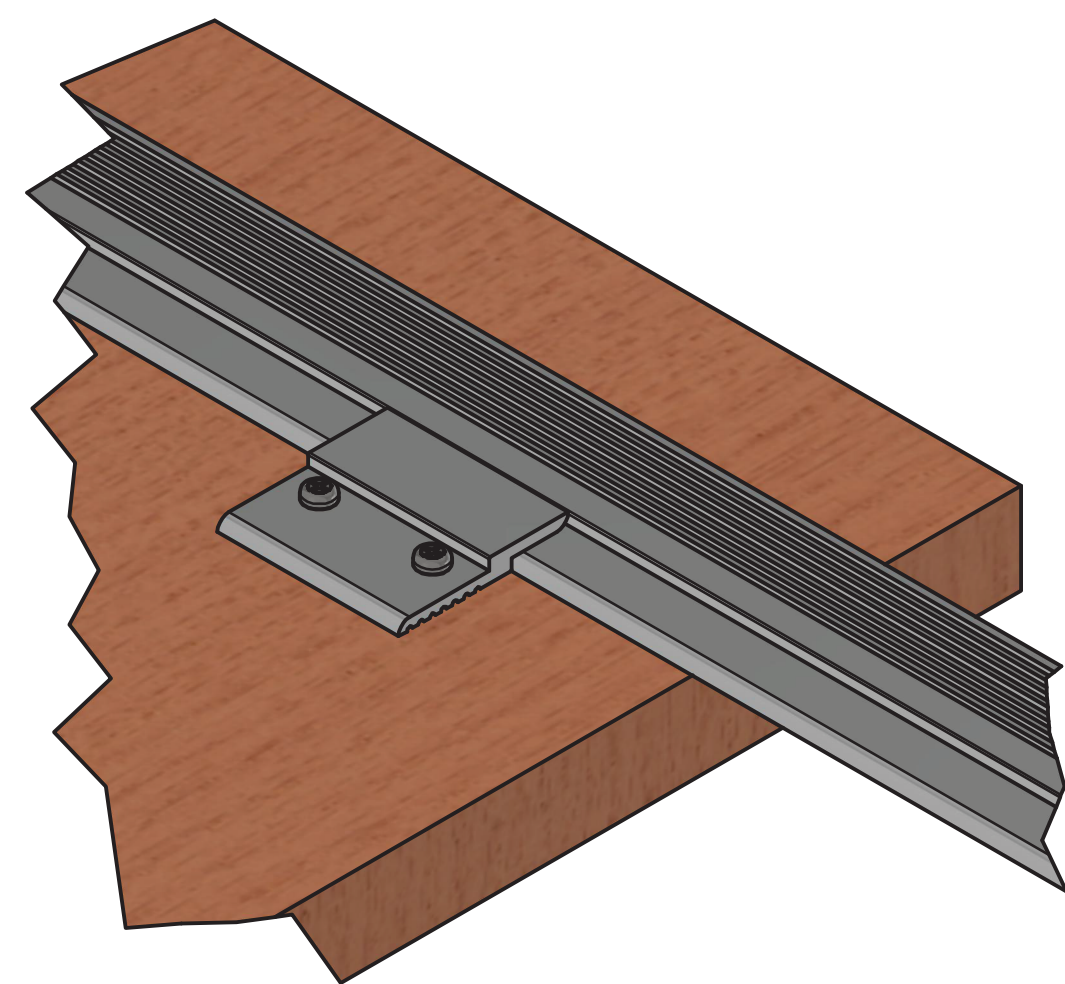
ISO



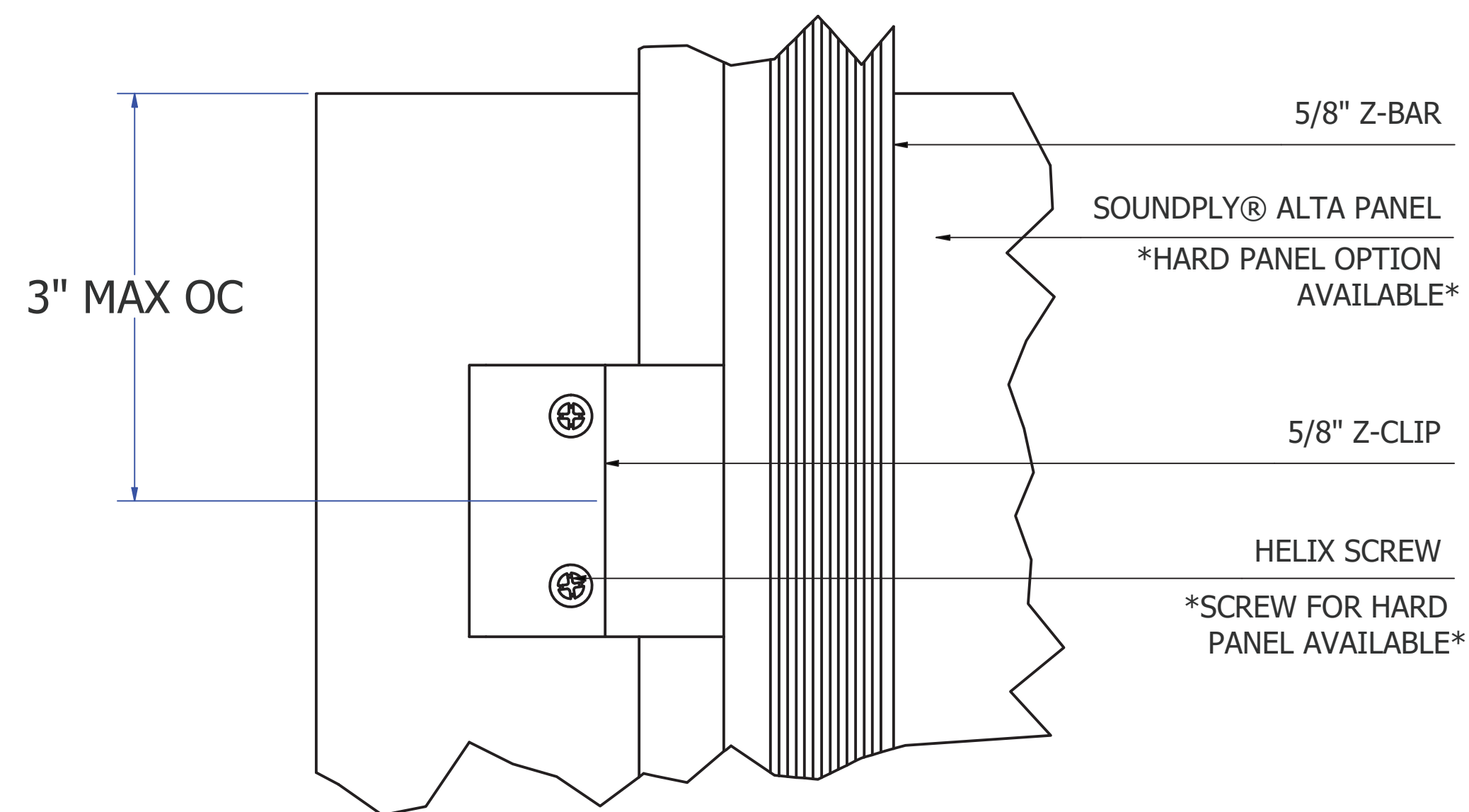
BACK



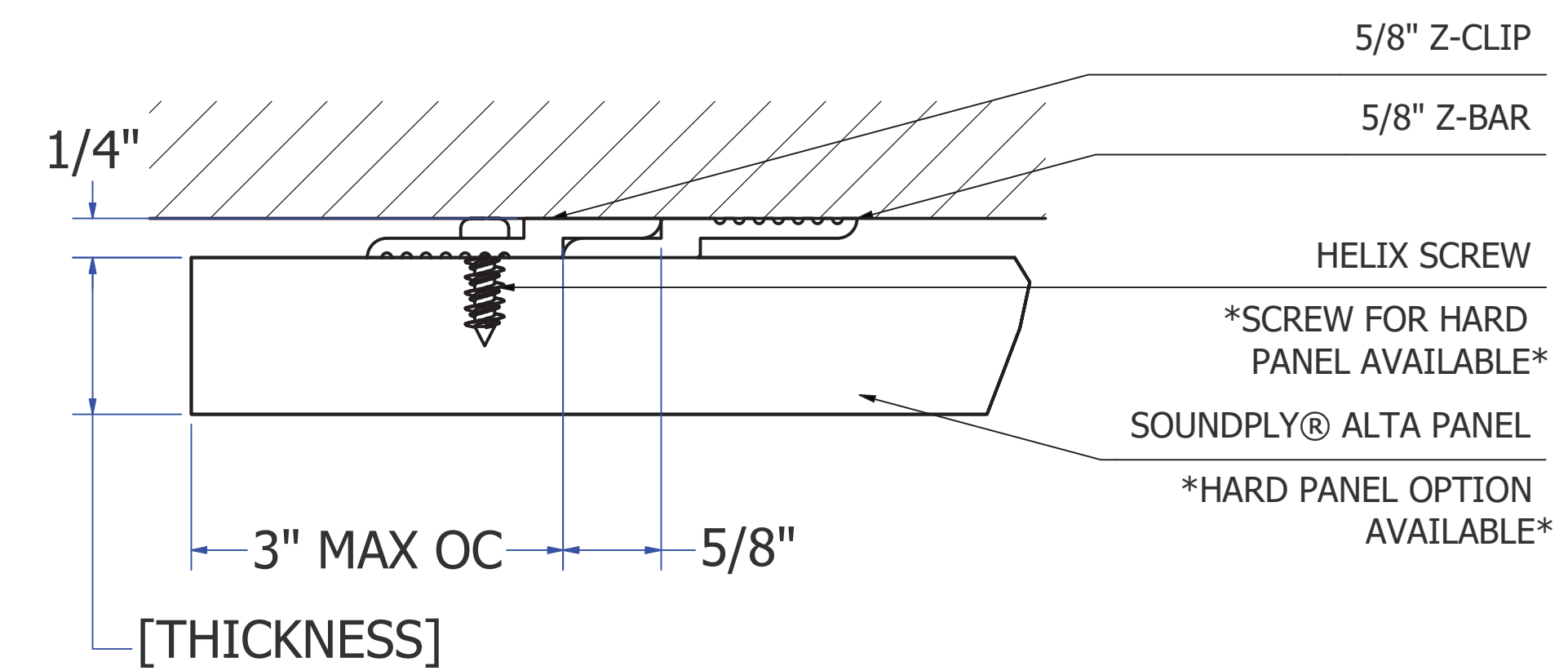
SIDE



A ISO DETAIL - Z-CLIP ASSEMBLY

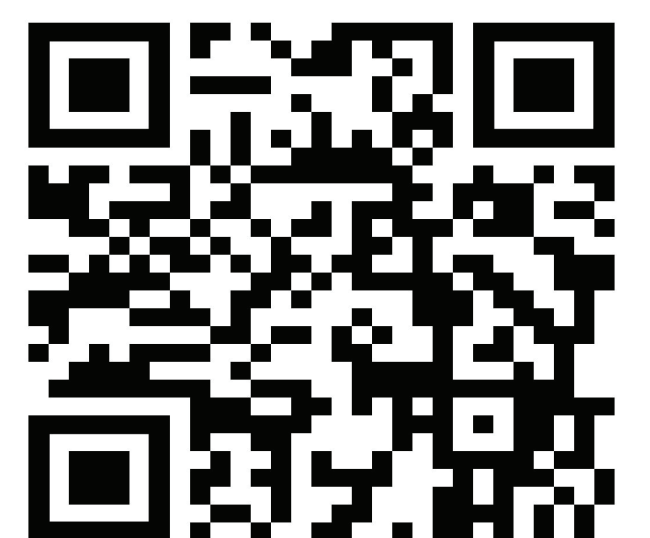


B BACK DETAIL - Z-CLIP ASSEMBLY



C SIDE DETAIL - Z-CLIP ASSEMBLY

Instructional Videos



Fixed Panel - Direct to Grid



These drawings have been created for illustrative purposes. The depiction of materials are not to be used as a submittal for that product.

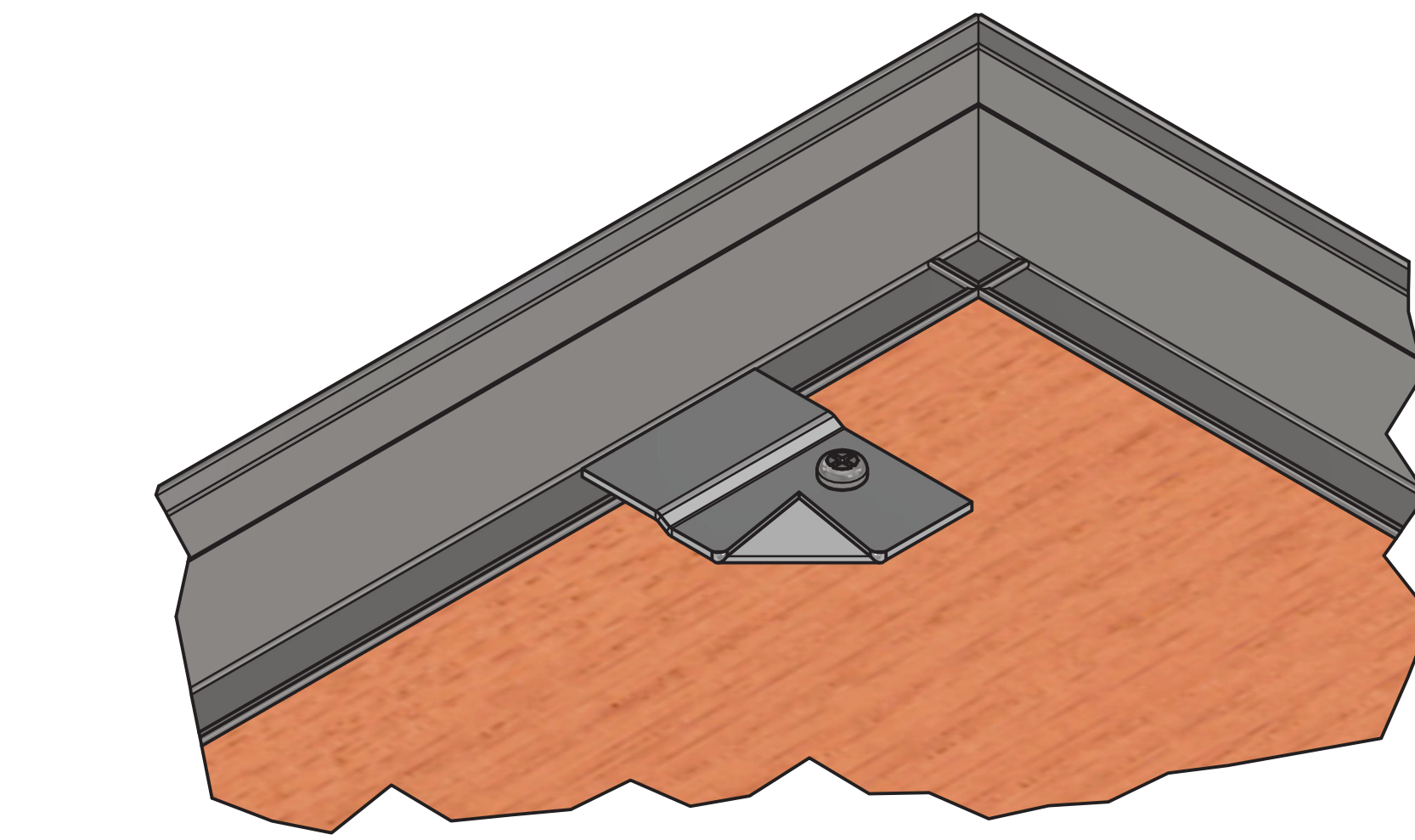
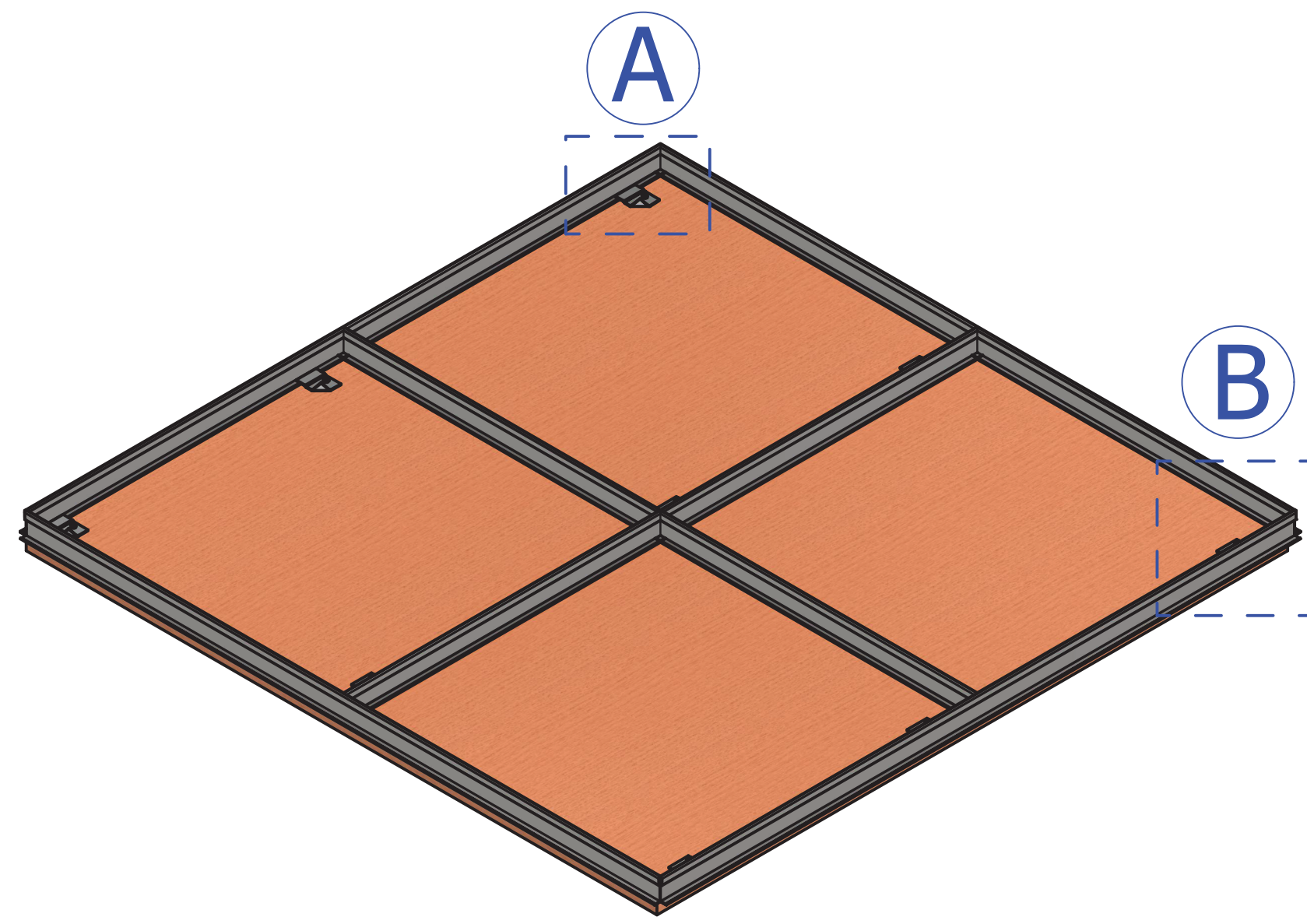
SCALE BASED ON 24" x 36" SHEET SIZE.

SUPPLIED BY NAVY ISLAND

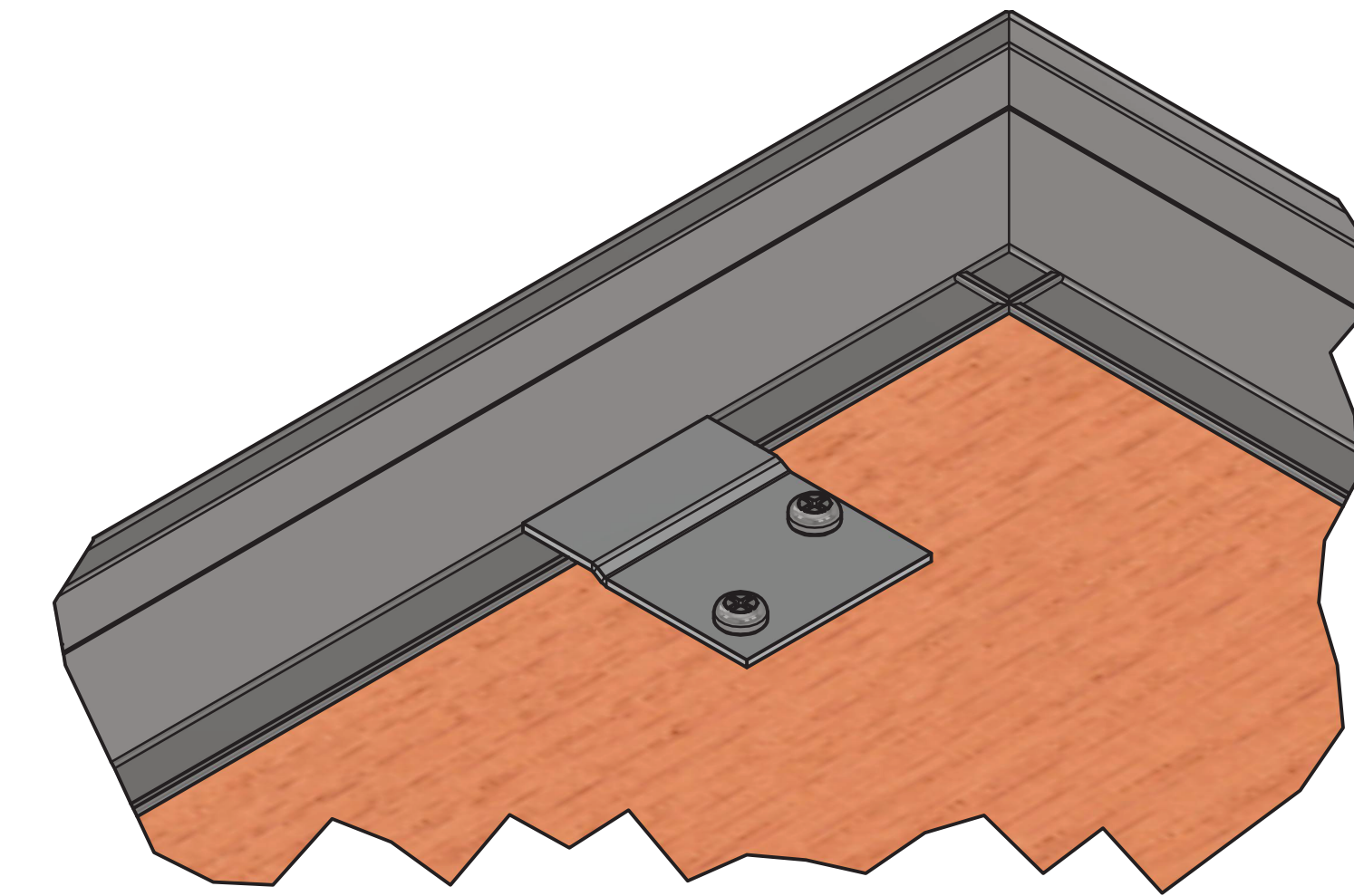
- SOUNDPLY® ALTA PANEL
- 5/8" GRID CLIP
- TWIST CLIP
- SCREW FOR HARD PANEL
- HELIX SCREW

SUPPLIED BY OTHERS

- CEILING GRID

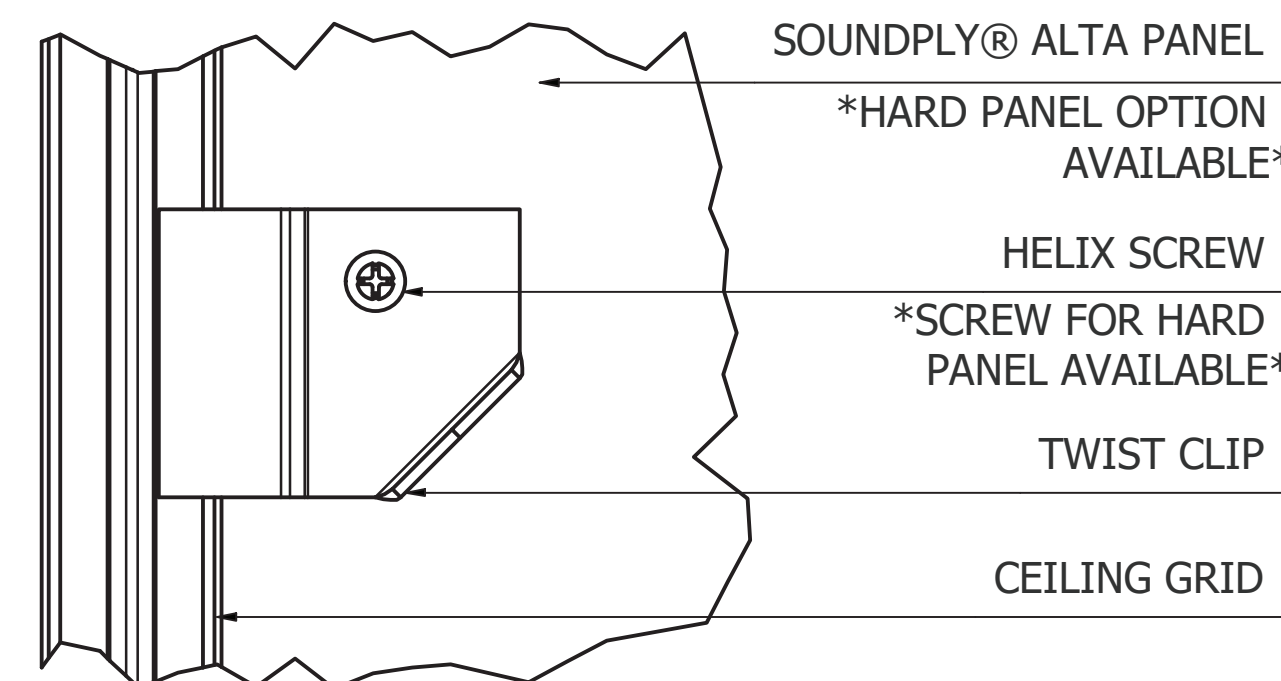


A ISO DETAIL - TWIST CLIP ASSEMBLY

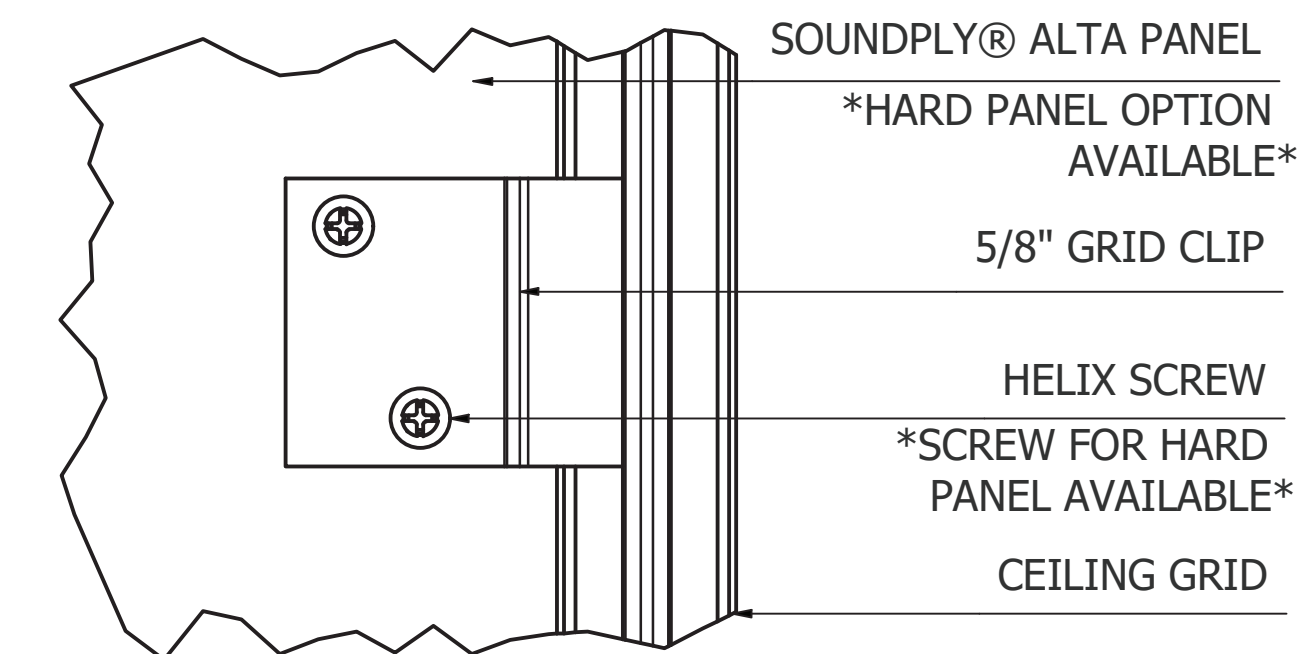


B ISO DETAIL - GRID CLIP ASSEMBLY

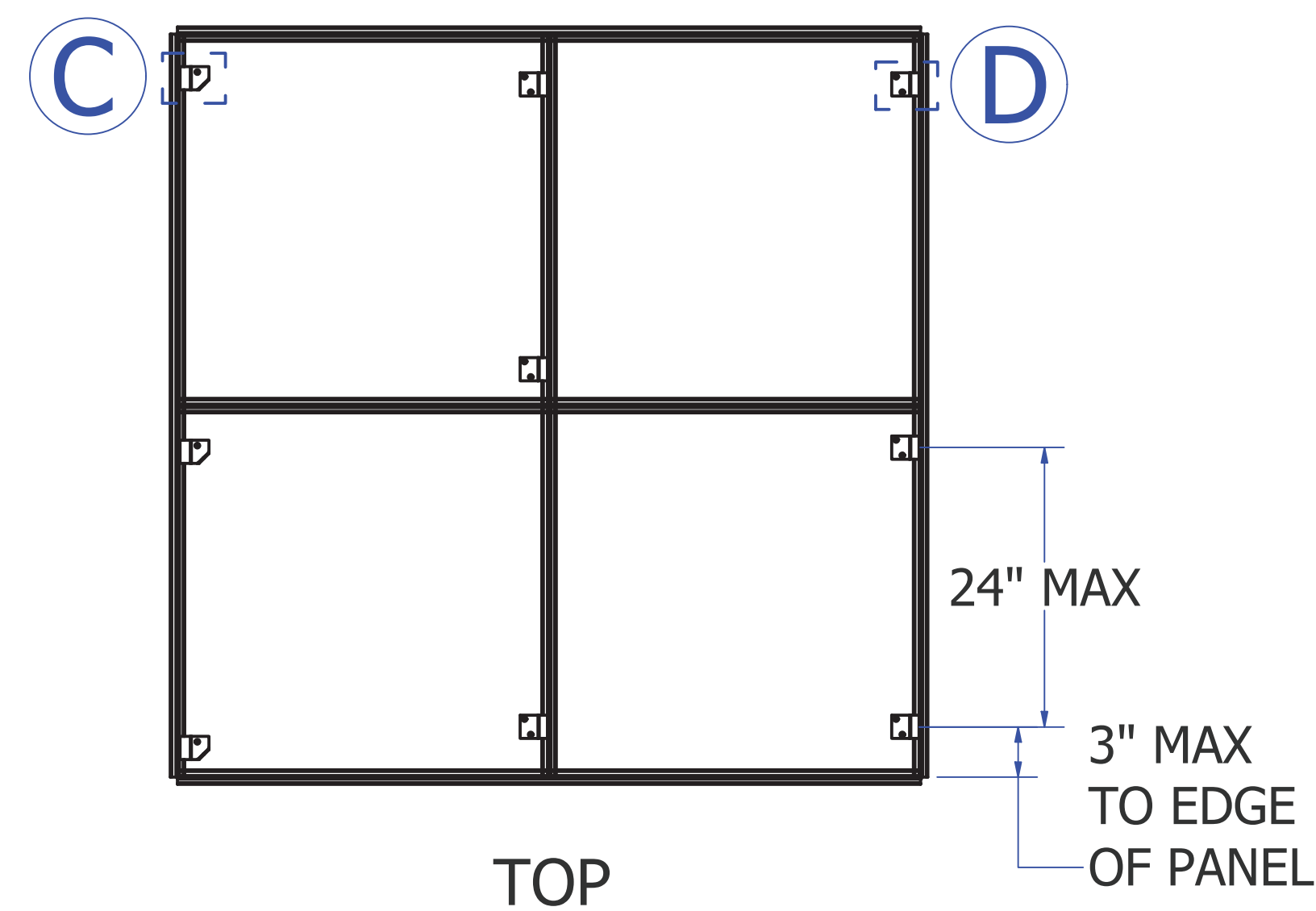
ISO



C TOP DETAIL - TWIST CLIP ASSEMBLY



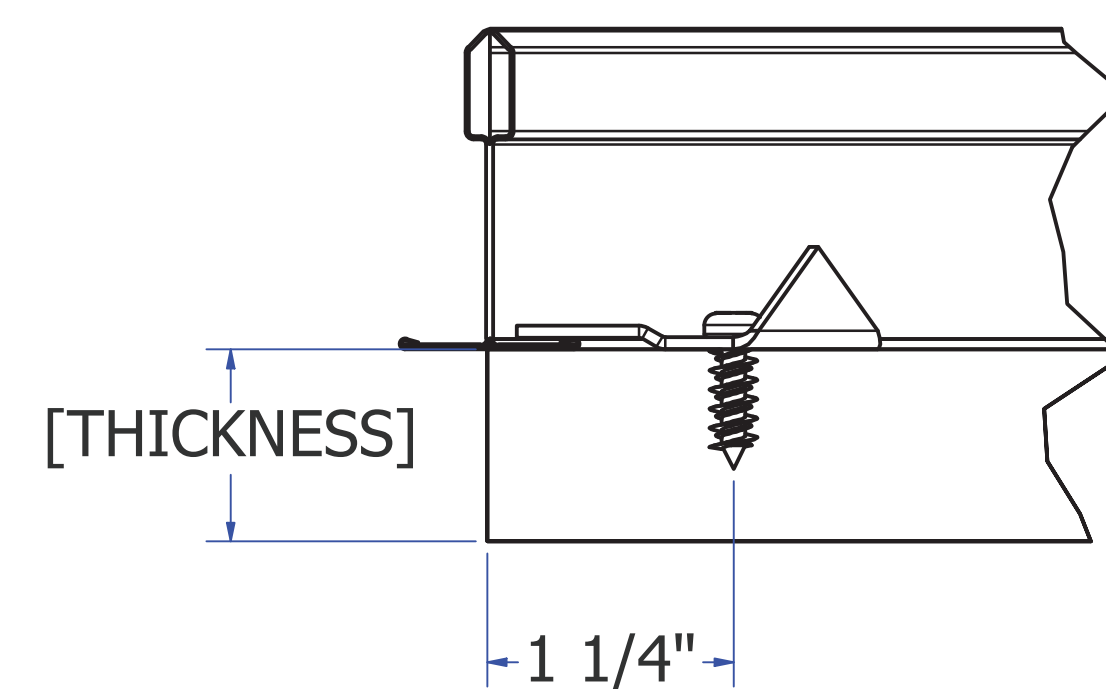
D TOP DETAIL - GRID CLIP ASSEMBLY



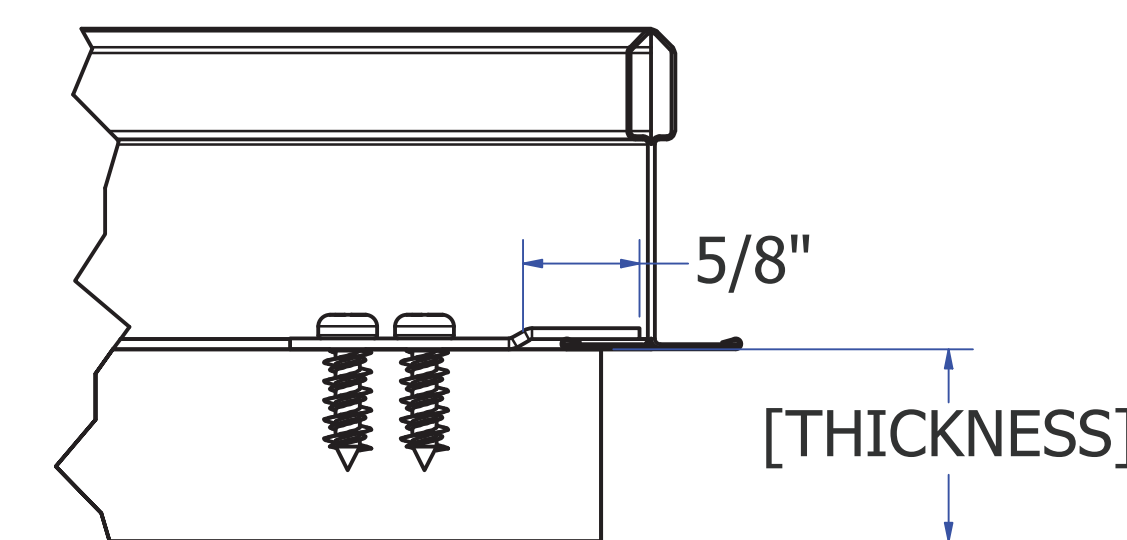
TOP



END

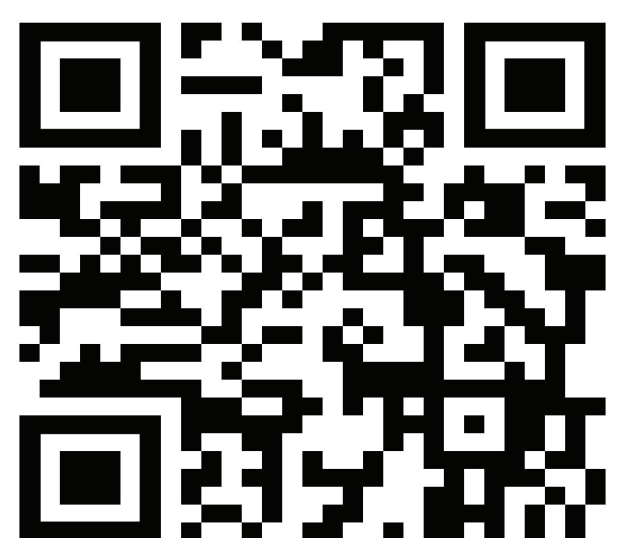


E END DETAIL - TWIST CLIP ASSEMBLY



F END DETAIL - GRID CLIP ASSEMBLY

Instructional Videos



Pull-down Panel - Direct to Grid



These drawings have been created for illustrative purposes. The depiction of materials are not to be used as a submittal for that product.

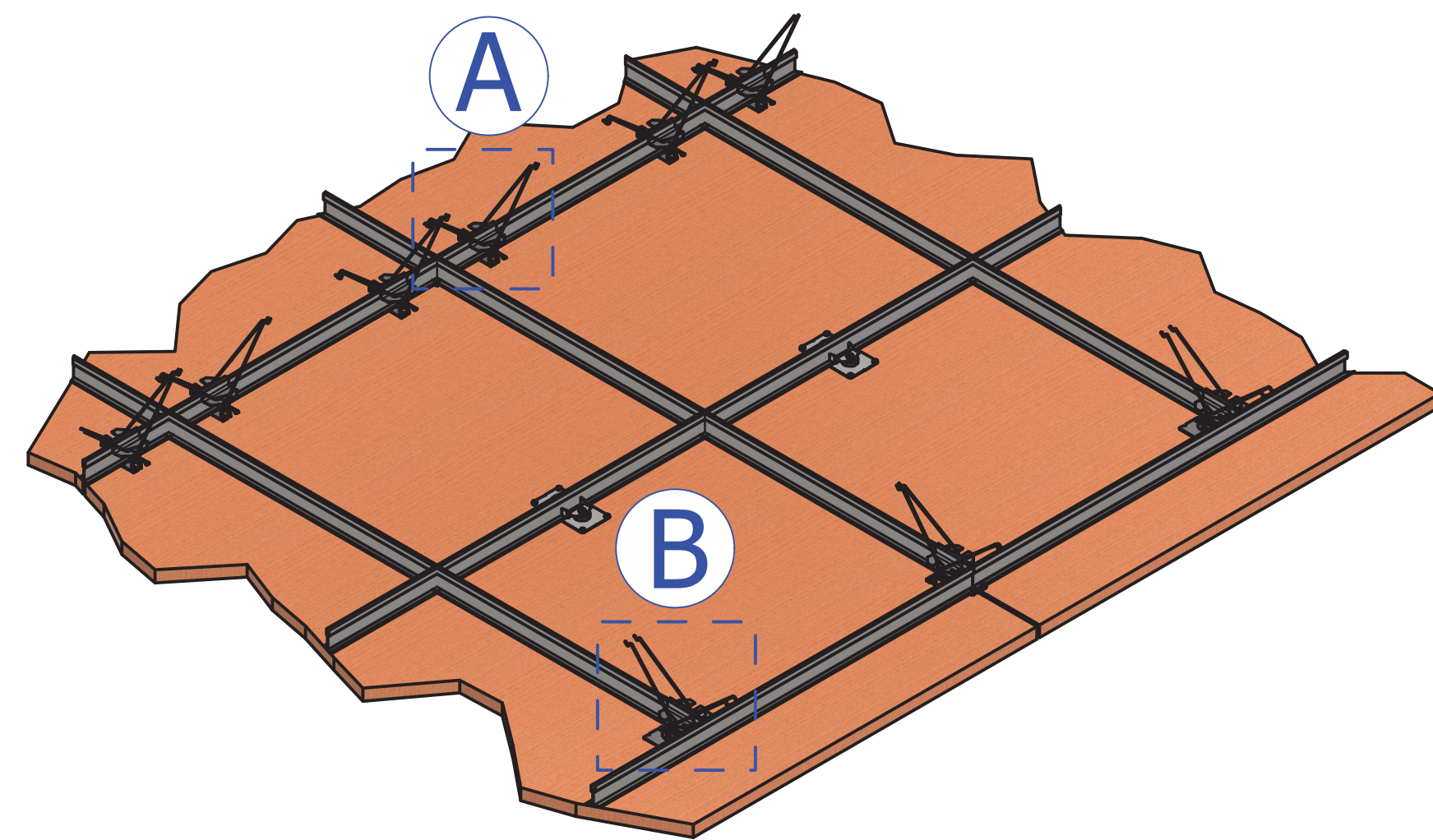
SCALE BASED ON 24" x 36" SHEET SIZE.

SUPPLIED BY NAVY ISLAND

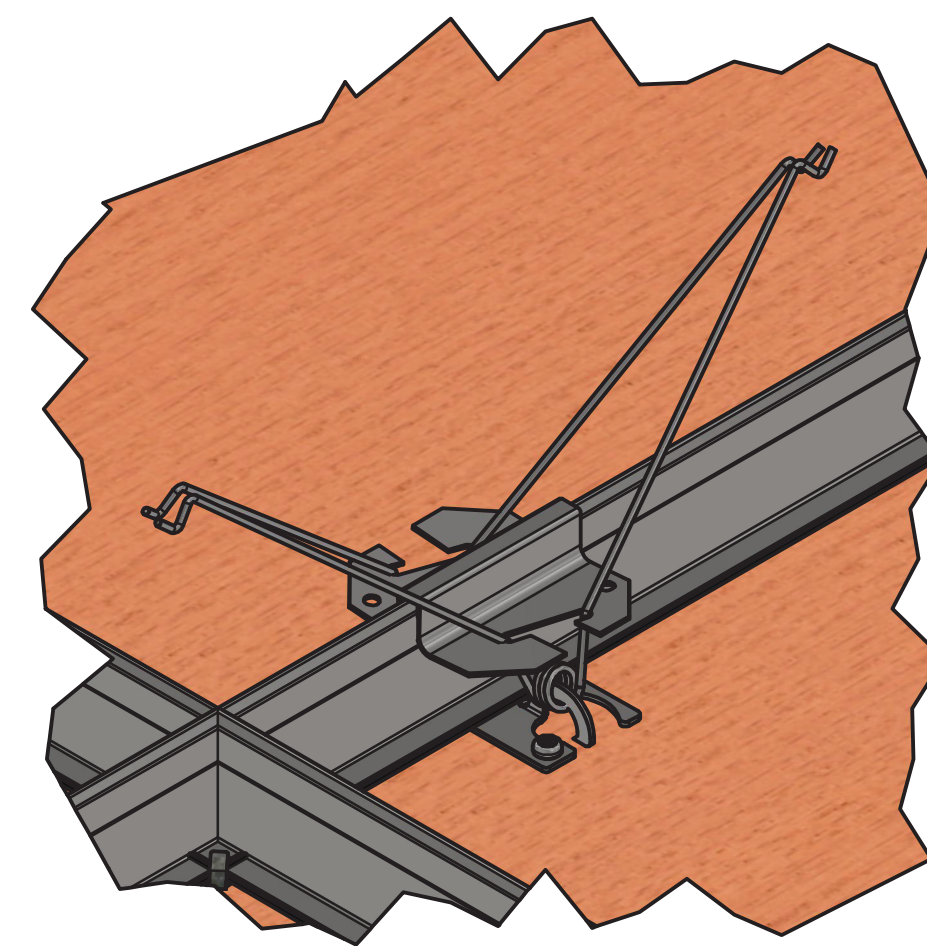
- SOUNDPLY® ALTA PANEL
- EDGE SPRING RETAINER
- TORSION SPRING
- HELIX SCREW
- FIELD SPRING RETAINER
- SADDLE
- MAGNET HOLDER
- MAGNET PLATE
- ALIGNMENT CROSS
- SCREW FOR HARD PANEL

SUPPLIED BY OTHERS

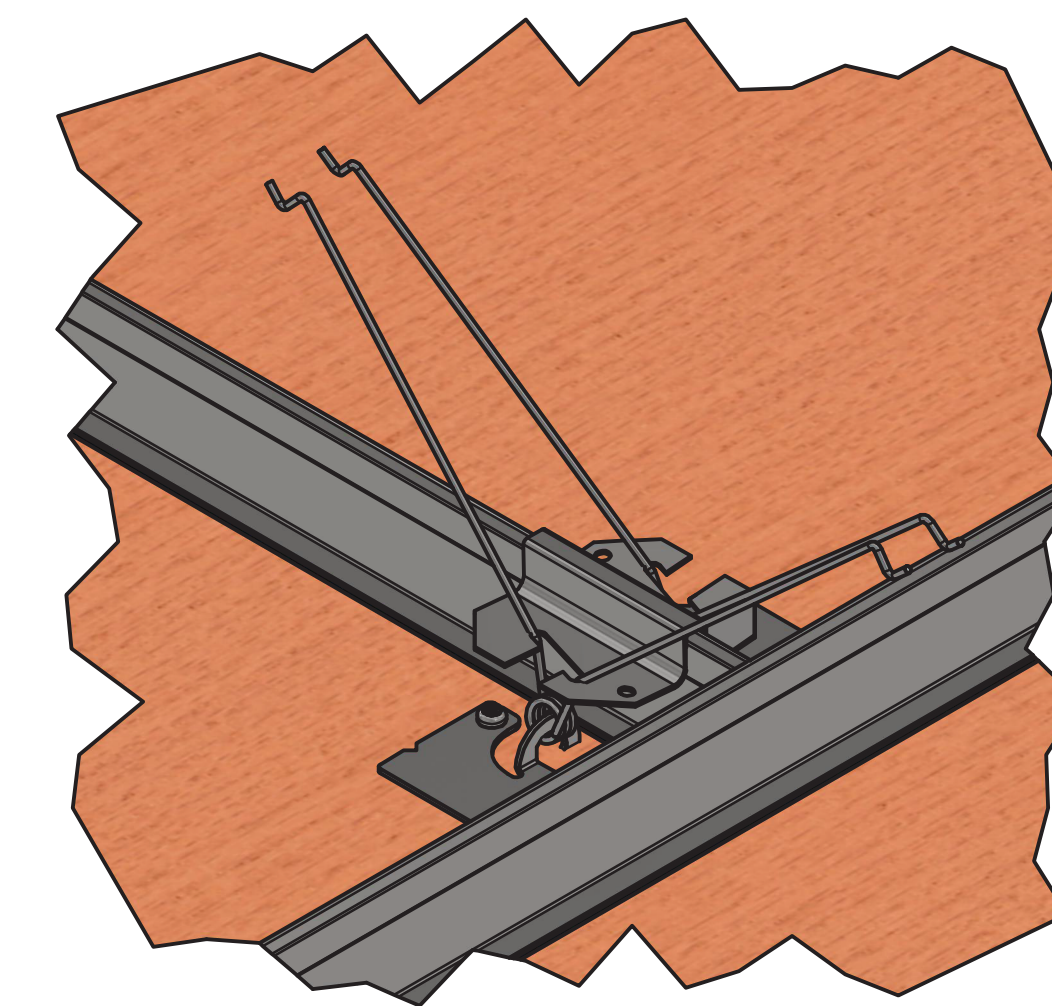
- CEILING GRID



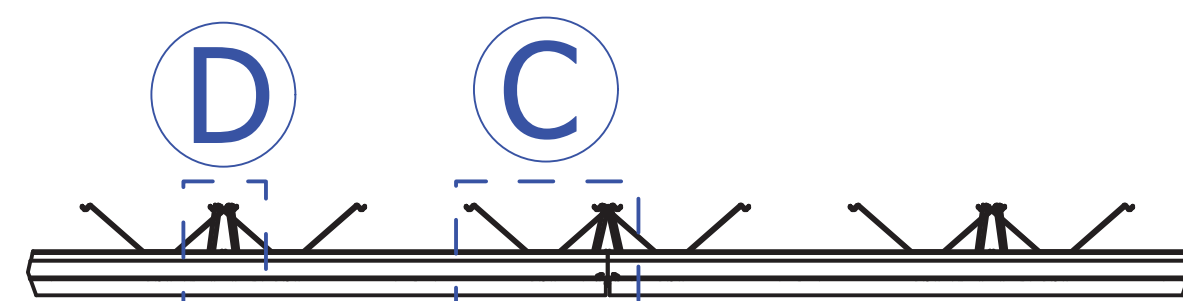
ISO



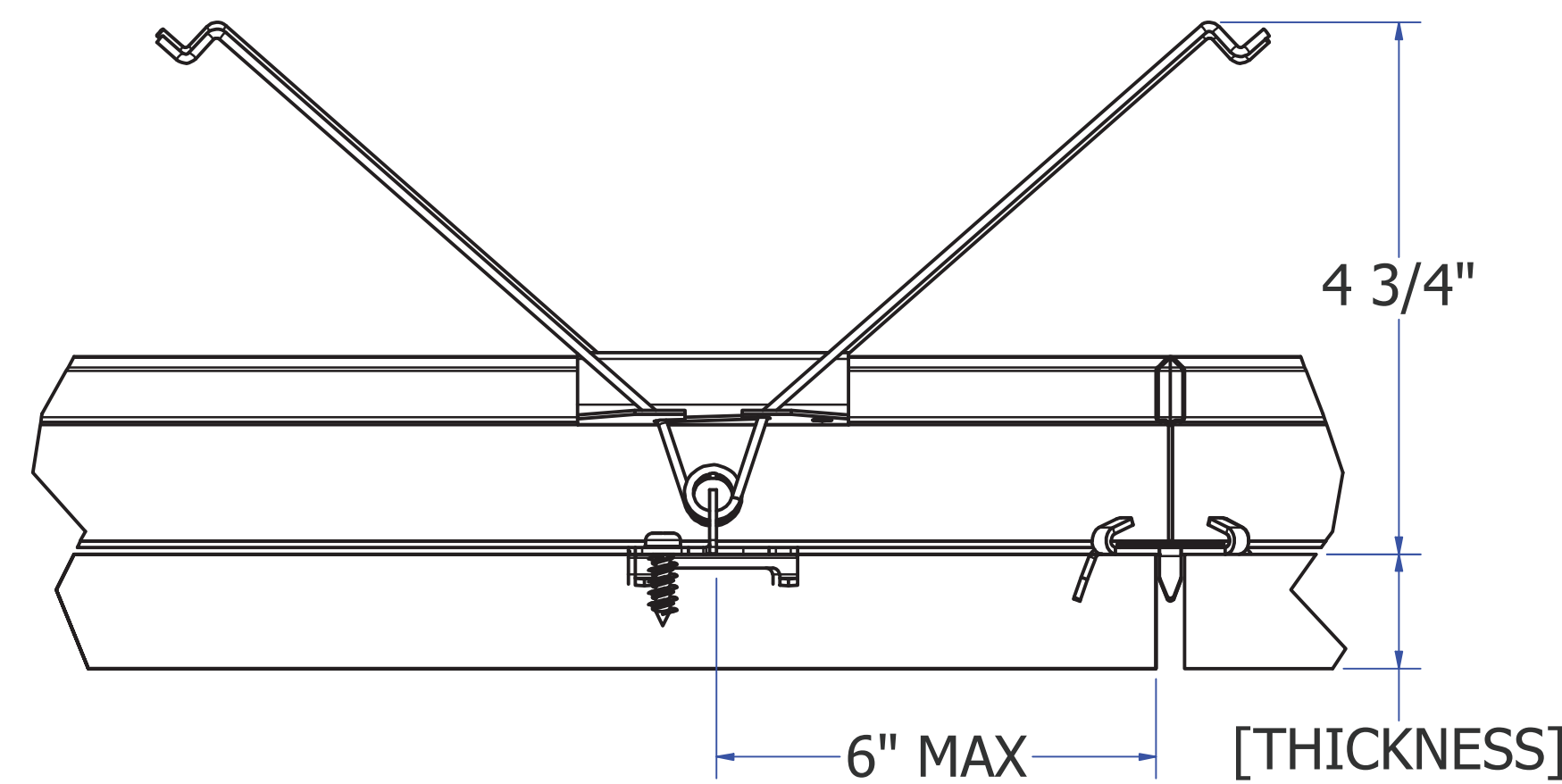
A ISO DETAIL - EDGE SPRING ASSEMBLY



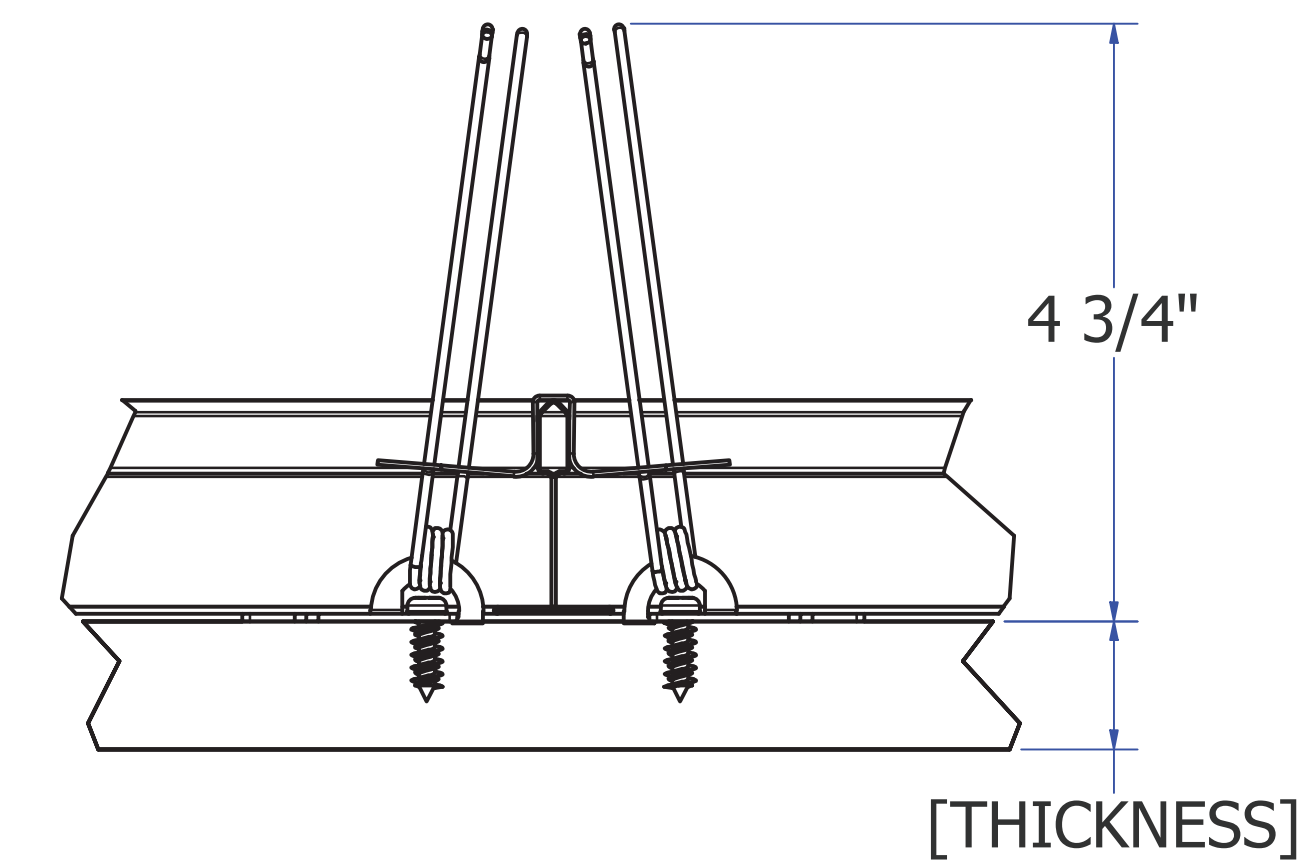
B ISO DETAIL - FIELD SPRING ASSEMBLY



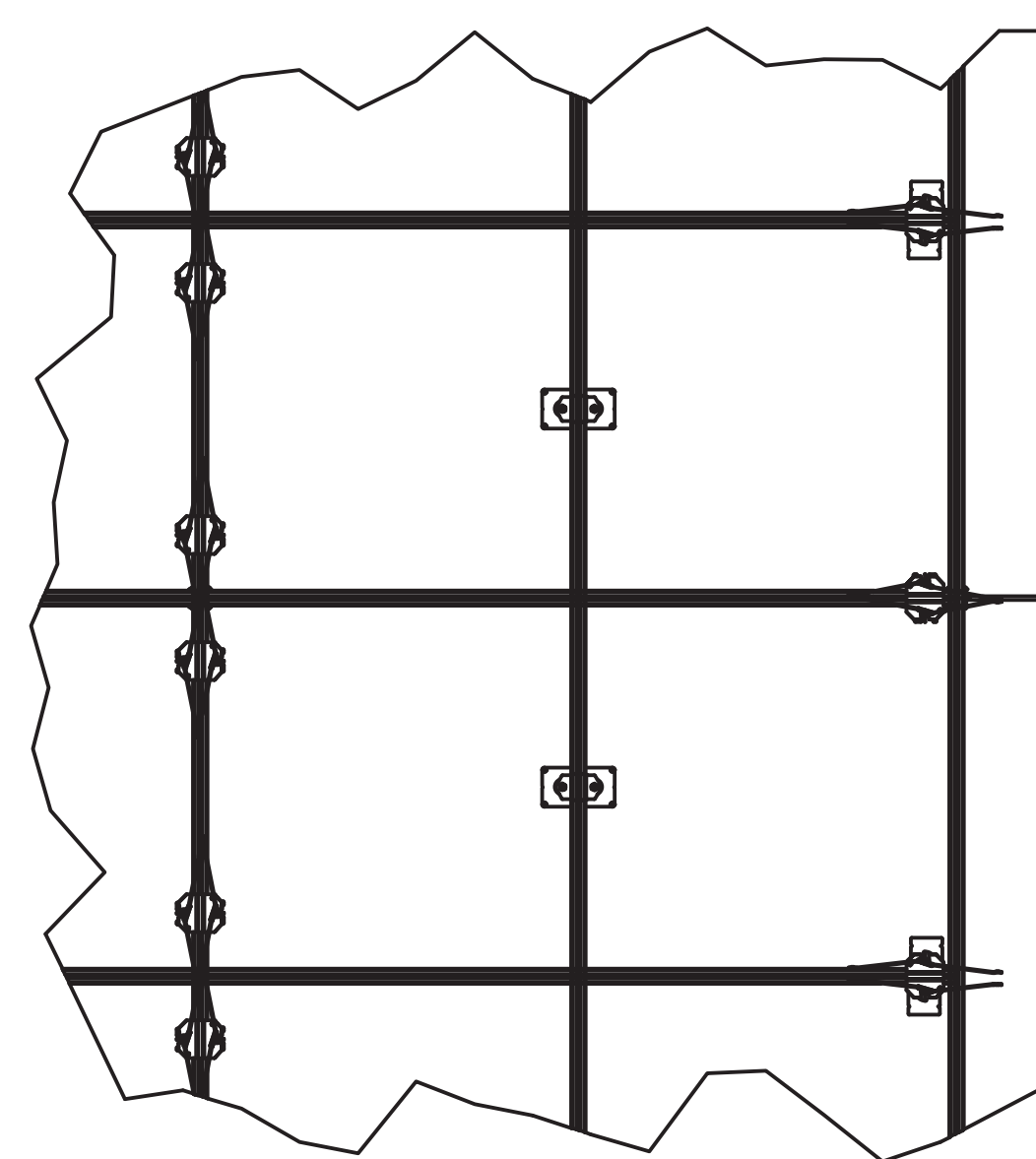
SIDE



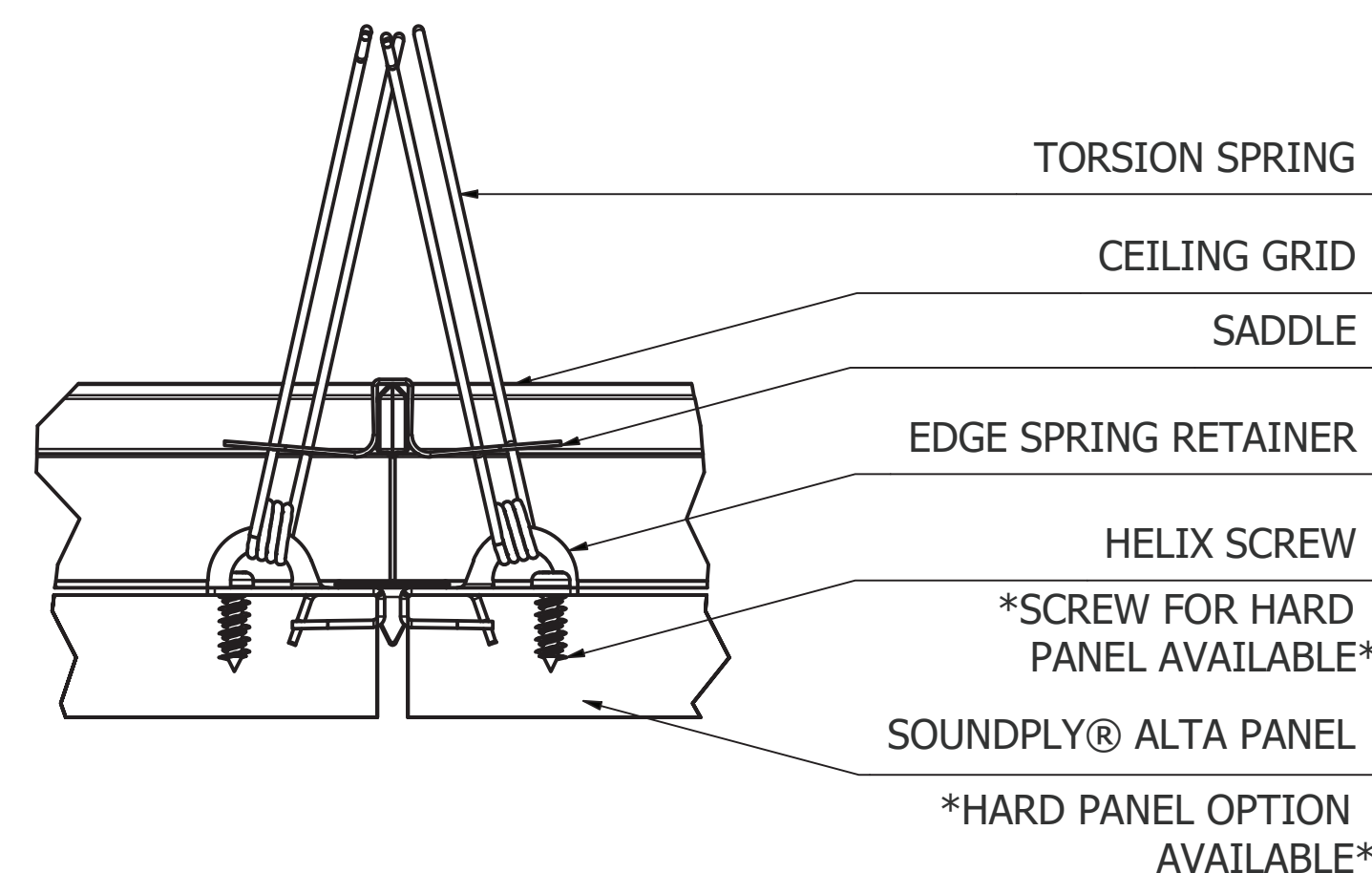
C SIDE DETAIL - EDGE SPRING ASSEMBLY



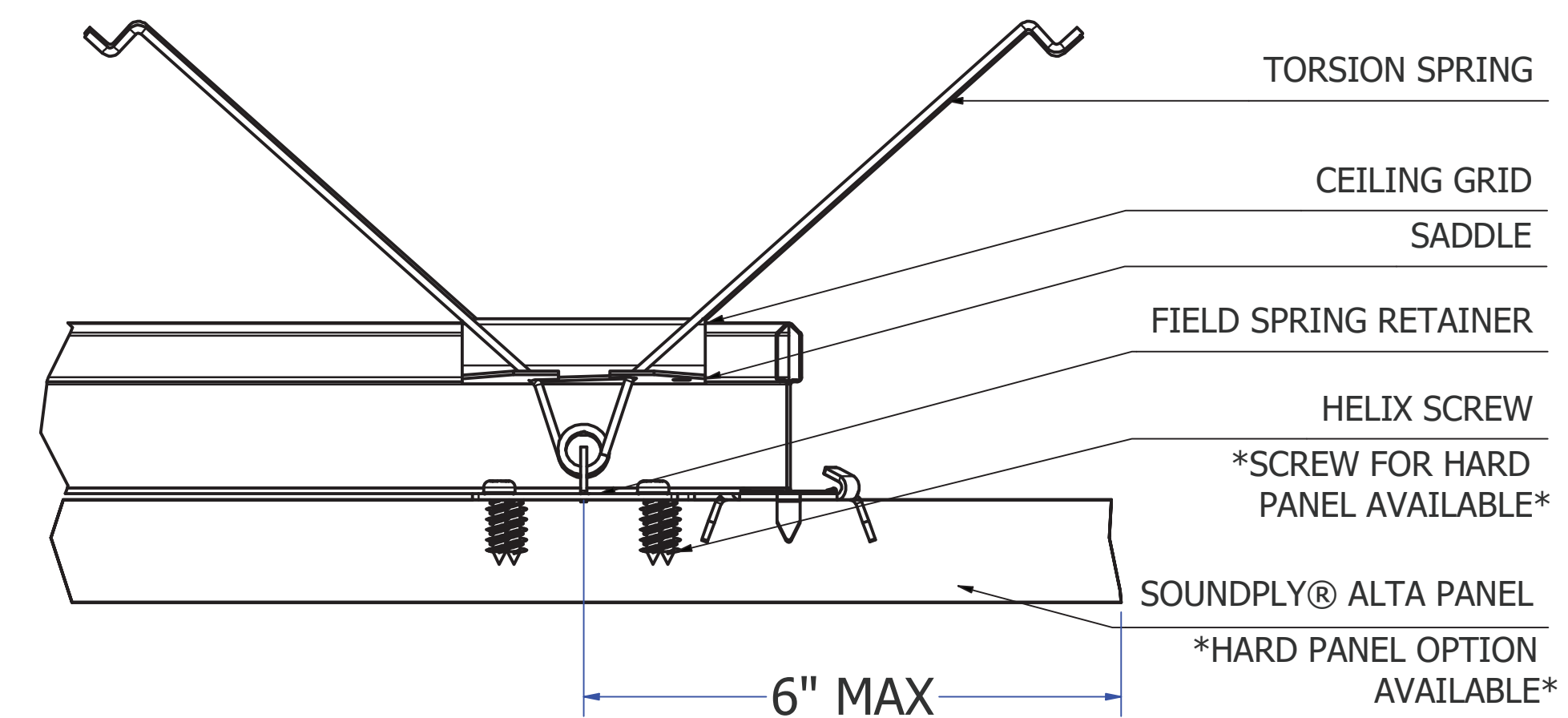
D SIDE DETAIL - FIELD SPRING ASSEMBLY



TOP



E END DETAIL - EDGE SPRING ASSEMBLY

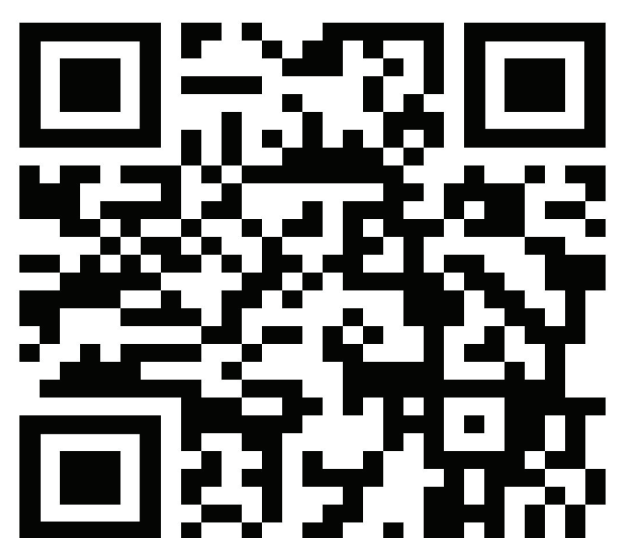


F END DETAIL - FIELD SPRING ASSEMBLY



END

Instructional Videos



Pull-down Panel - Direct to Grid (Cont.)



These drawings have been created for illustrative purposes. The depiction of materials are not to be used as a submittal for that product.

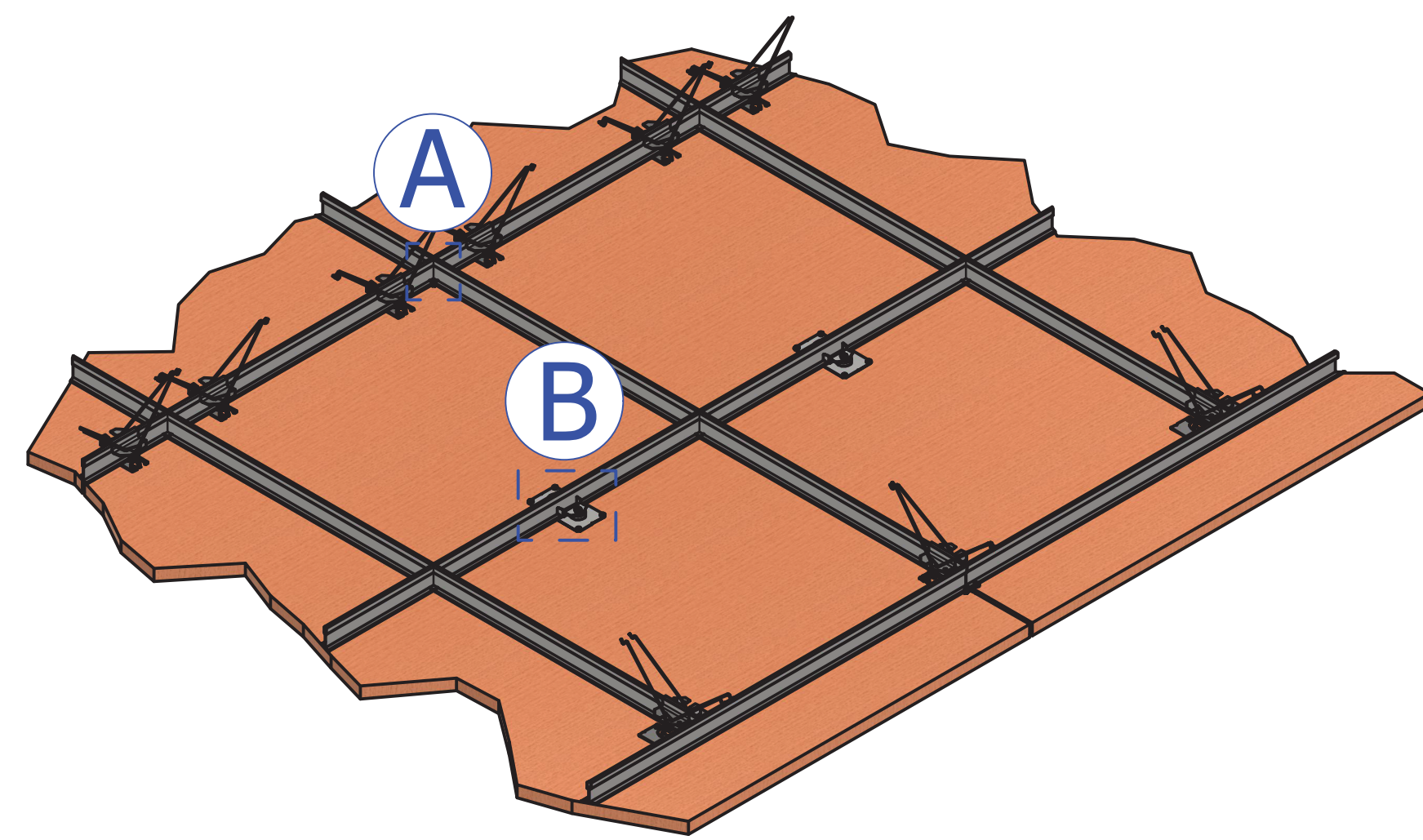
SCALE BASED ON 24" x 36" SHEET SIZE.

SUPPLIED BY NAVY ISLAND

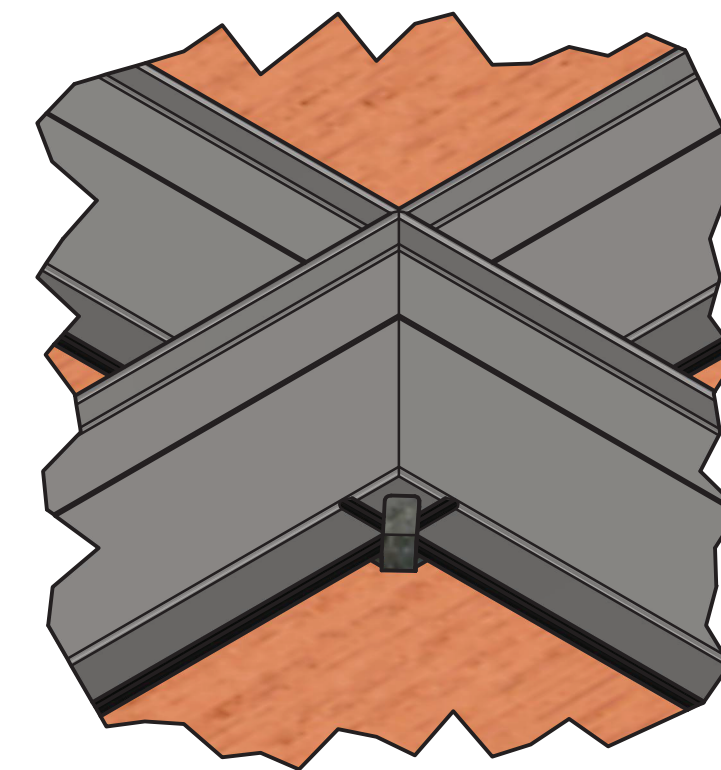
- SOUNDPLY® ALTA PANEL
- EDGE SPRING RETAINER
- TORSION SPRING
- HELIX SCREW
- FIELD SPRING RETAINER
- SADDLE
- MAGNET HOLDER
- MAGNET PLATE
- ALIGNMENT CROSS
- SCREW FOR HARD PANEL

SUPPLIED BY OTHERS

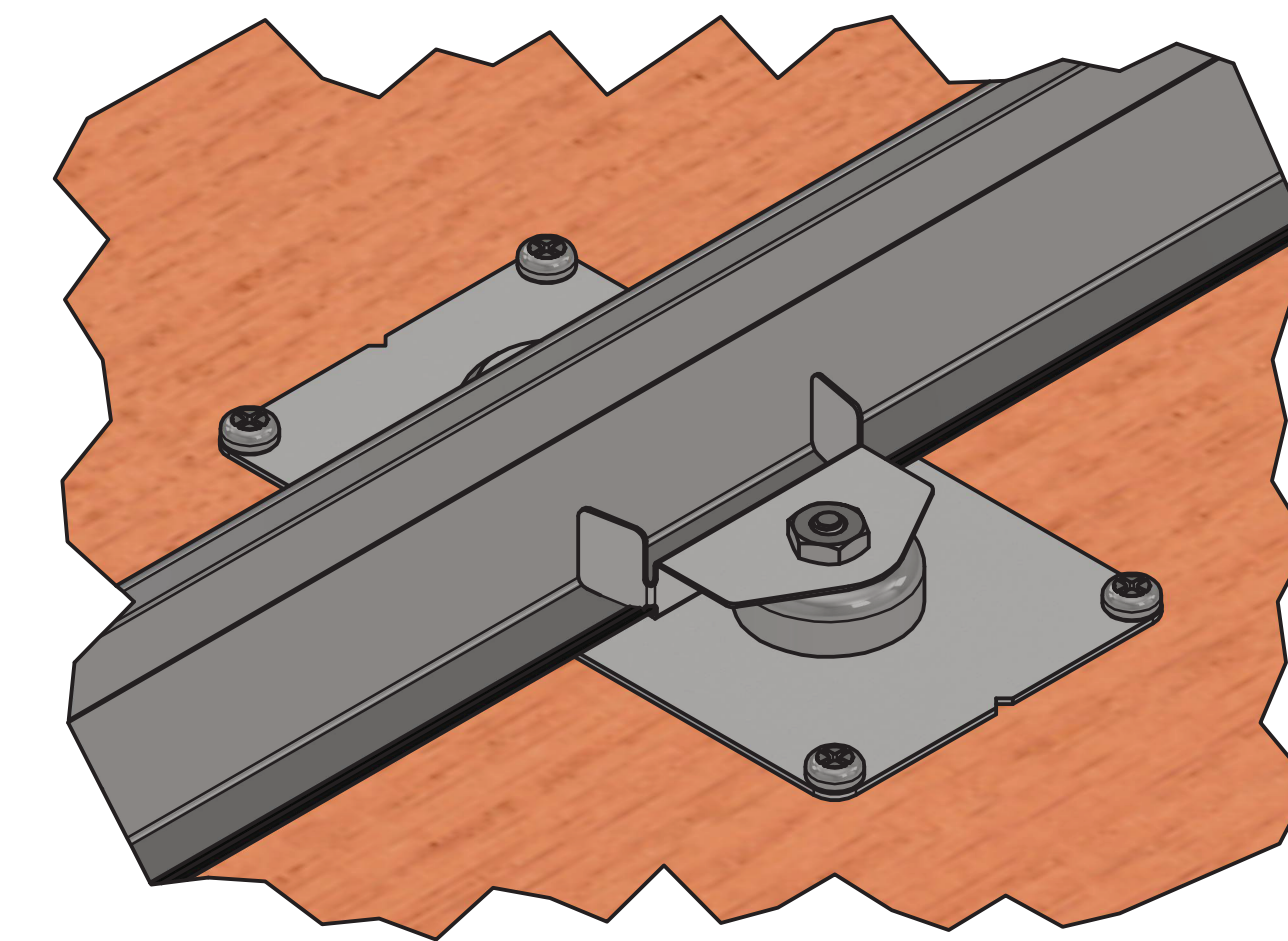
- CEILING GRID



ISO



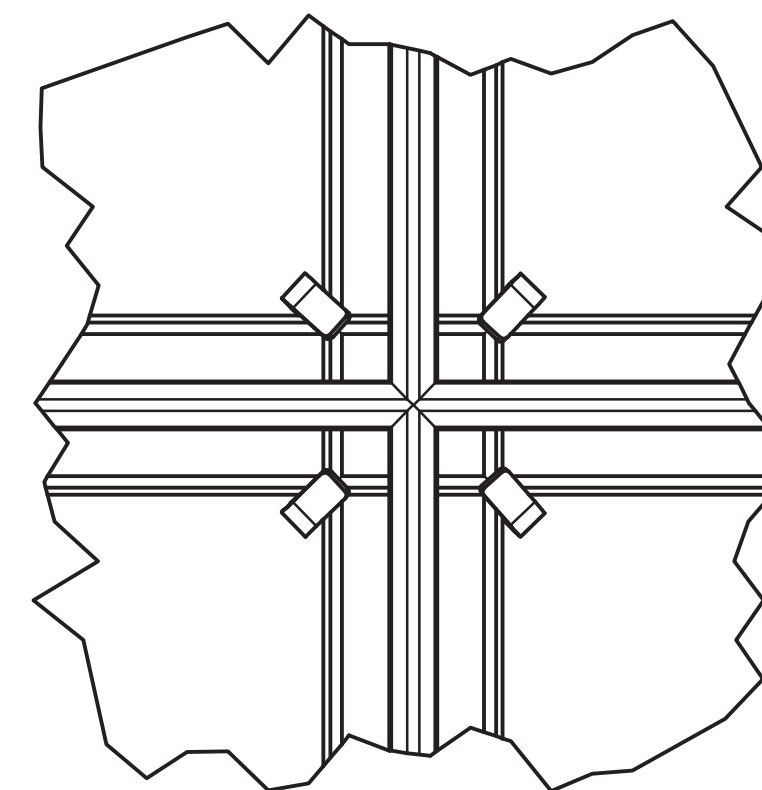
A ISO DETAIL - ALIGNMENT CROSS ASSEMBLY



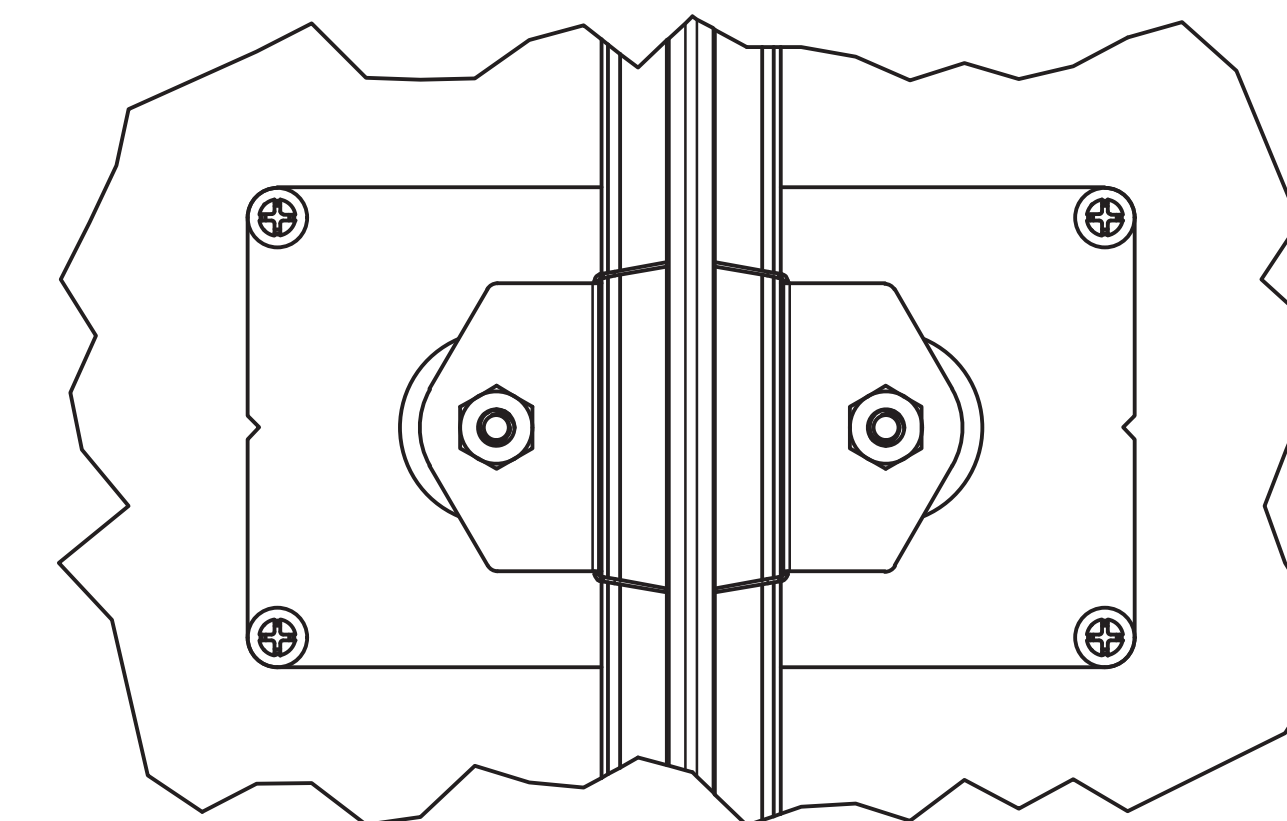
B ISO DETAIL - MAGNET ASSEMBLY



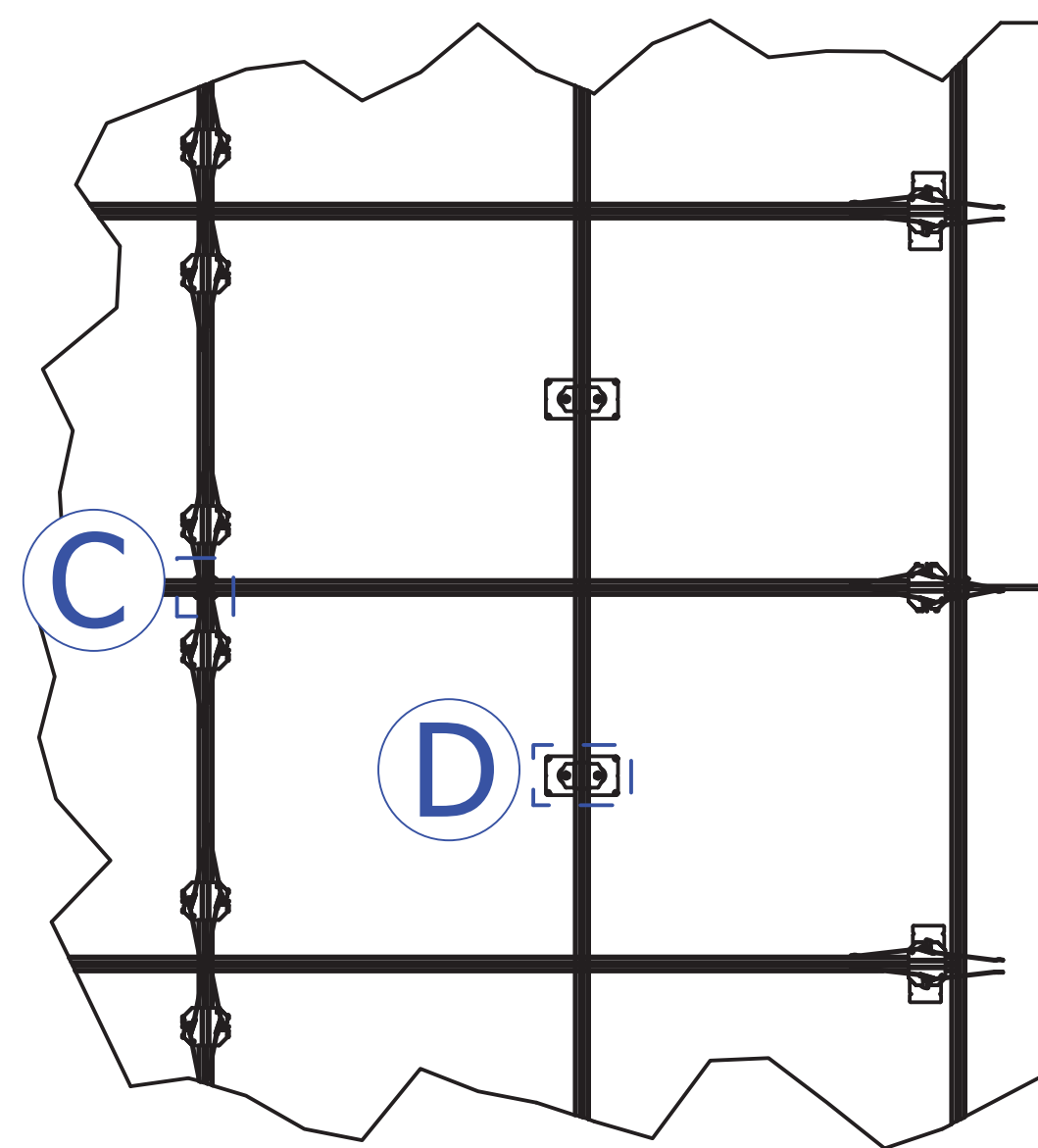
SIDE



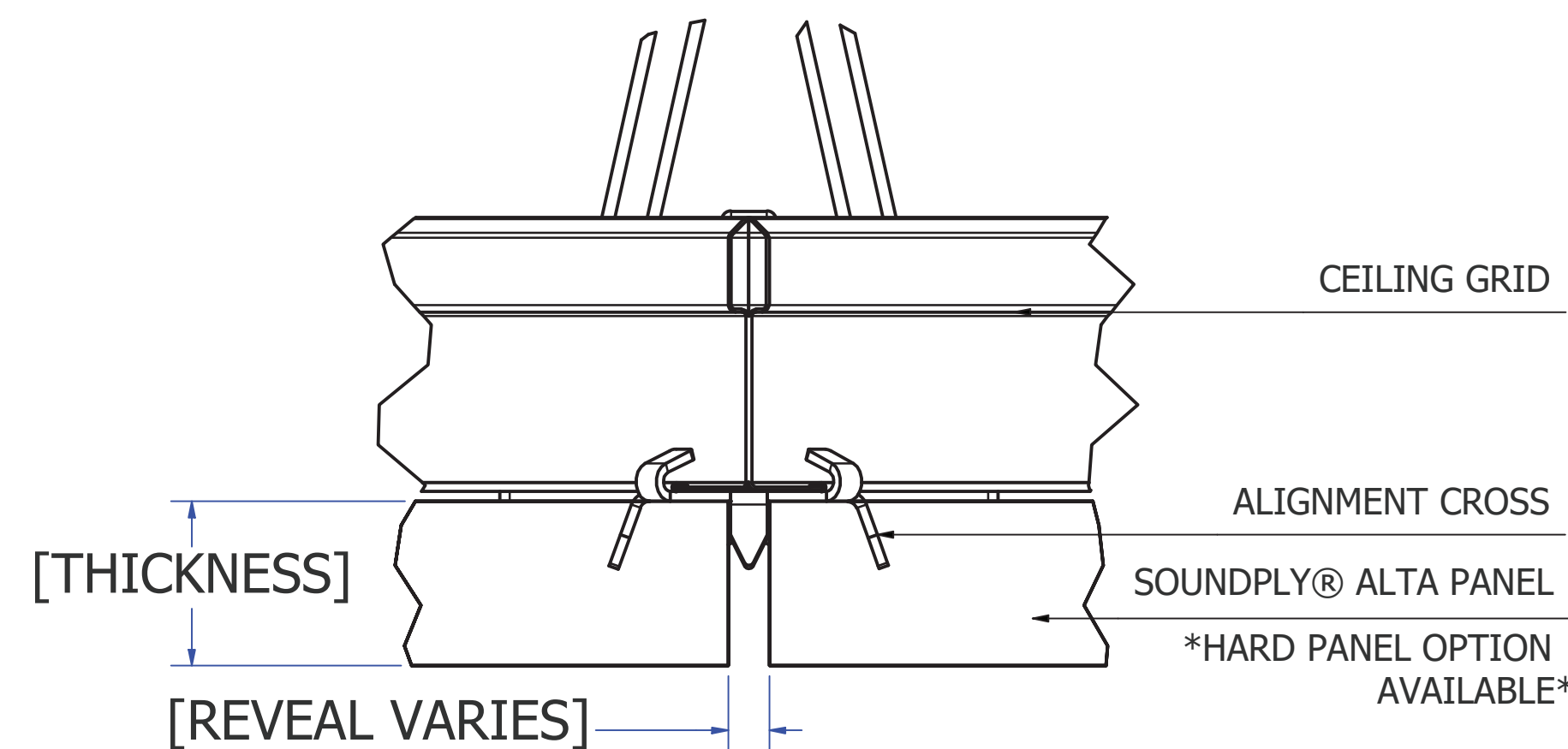
C TOP DETAIL - ALIGNMENT CROSS ASSEMBLY



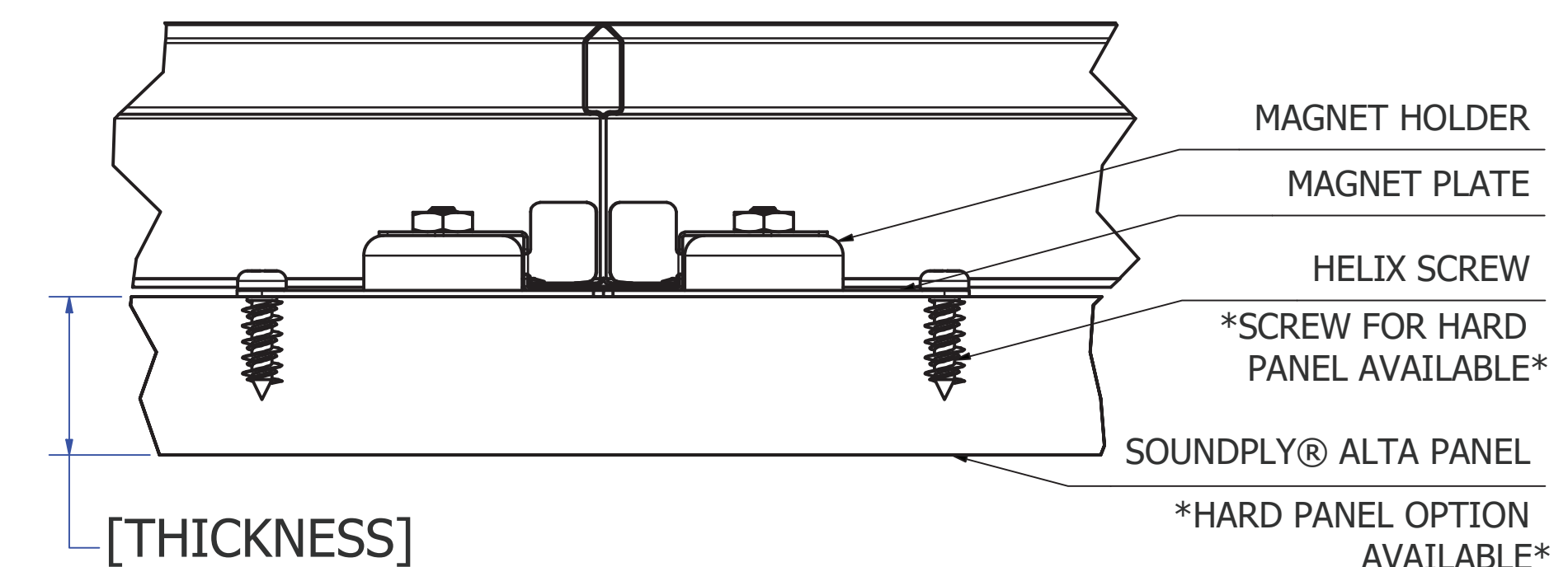
D TOP DETAIL - MAGNET ASSEMBLY



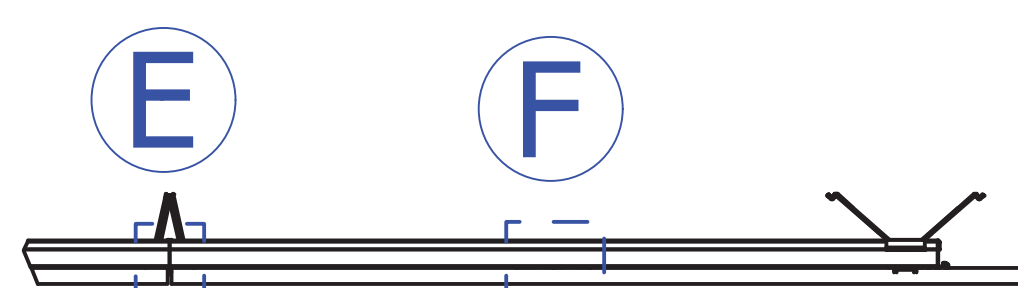
TOP



E END DETAIL - ALIGNMENT CROSS ASSEMBLY



F END DETAIL - MAGNET ASSEMBLY



END

Instructional Videos

