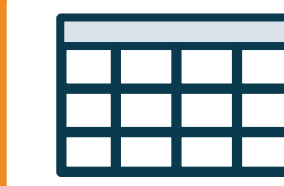
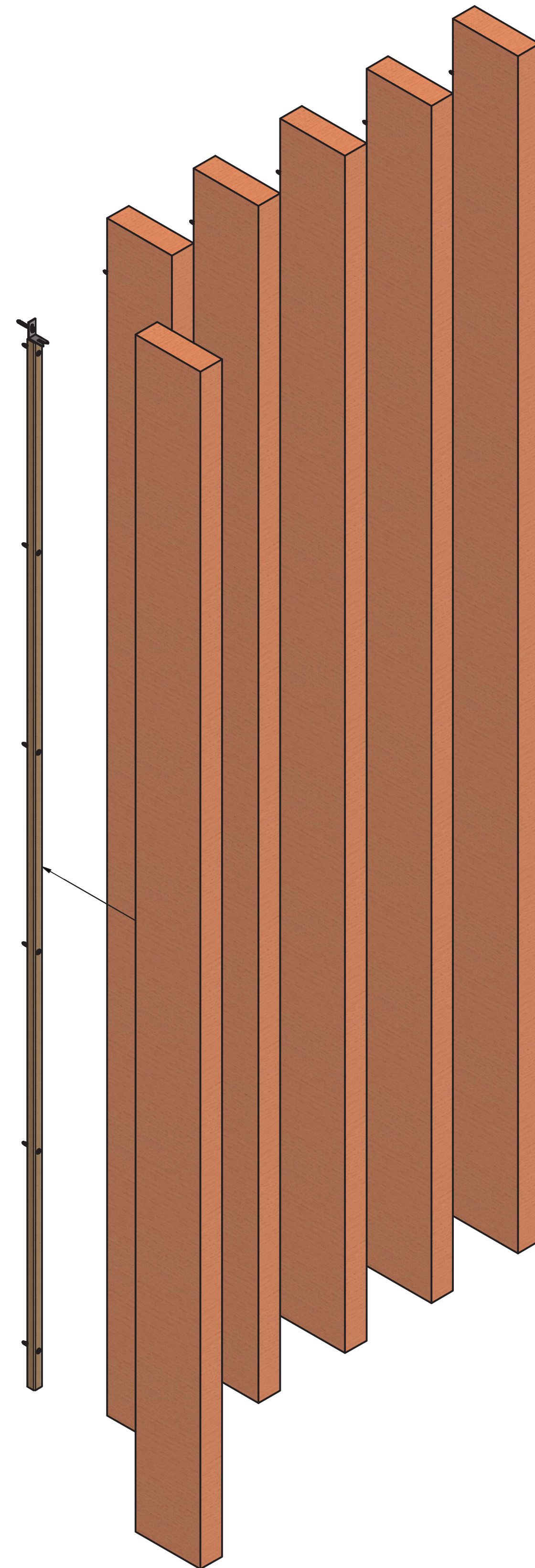


Wall Fin Attachment

SoundPly® Infinio



Hardware List

Page 2



Direct to Wall



Individual Fin Mount

Page 3

Hardware List



Supplied by Navy Island

Name	Part Number
Fin Holder	H601-1333
Mounting Strip	
SoundPly® Infinio Fin	

Supplied by Others

Name	Description
Construction Adhesive	
Fastener for Fin Holder	
Fastener for Mounting Strip	

Individual Fin Mount - Direct to Wall



These drawings have been created for illustrative purposes. The depiction of materials are not to be used as a submittal for that product.

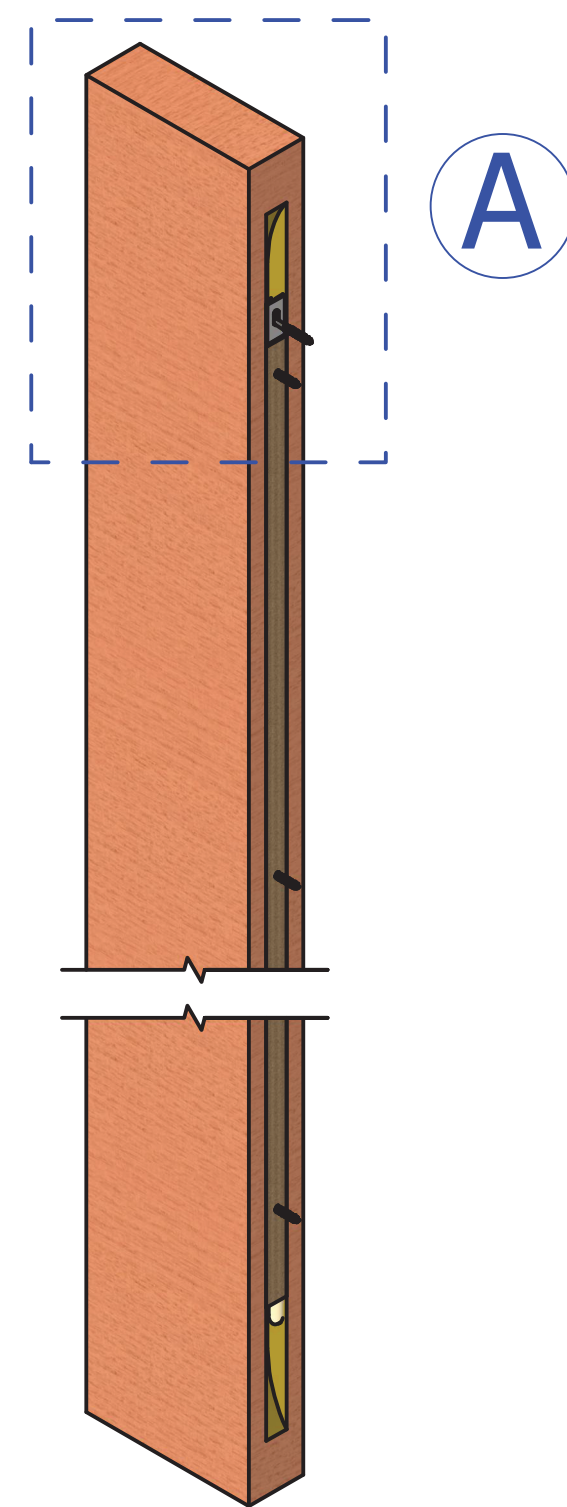
SCALE BASED ON 24" x 36" SHEET SIZE.

SUPPLIED BY NAVY ISLAND

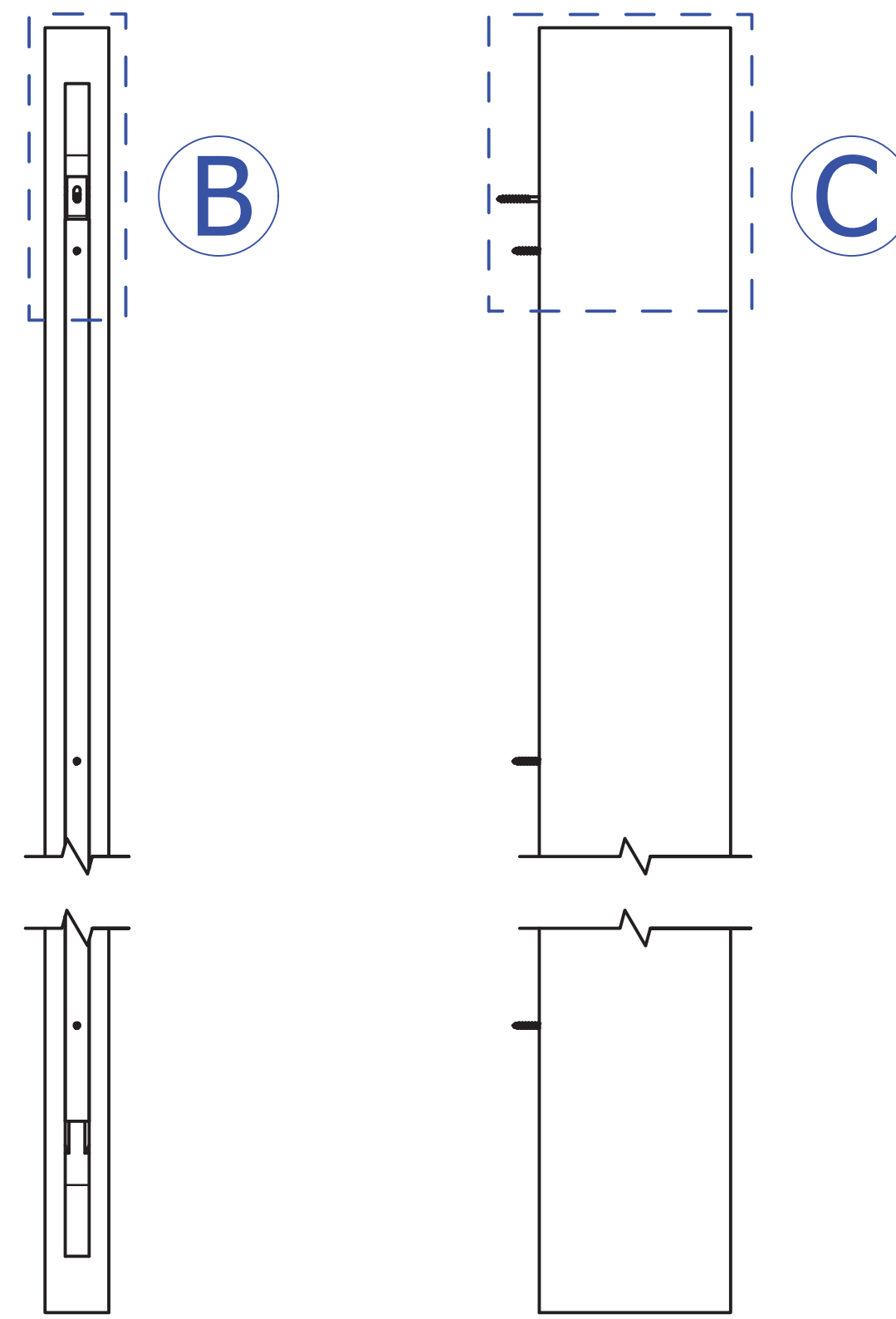
SOUNDPLY® INFINIO FIN
 FIN HOLDER
 MOUNTING STRIP
 FASTENER FOR FIN HOLDER

SUPPLIED BY OTHERS

FASTENER FOR MOUNTING STRIP
 FASTENER FOR FIN HOLDER
 CONSTRUCTION ADHESIVE

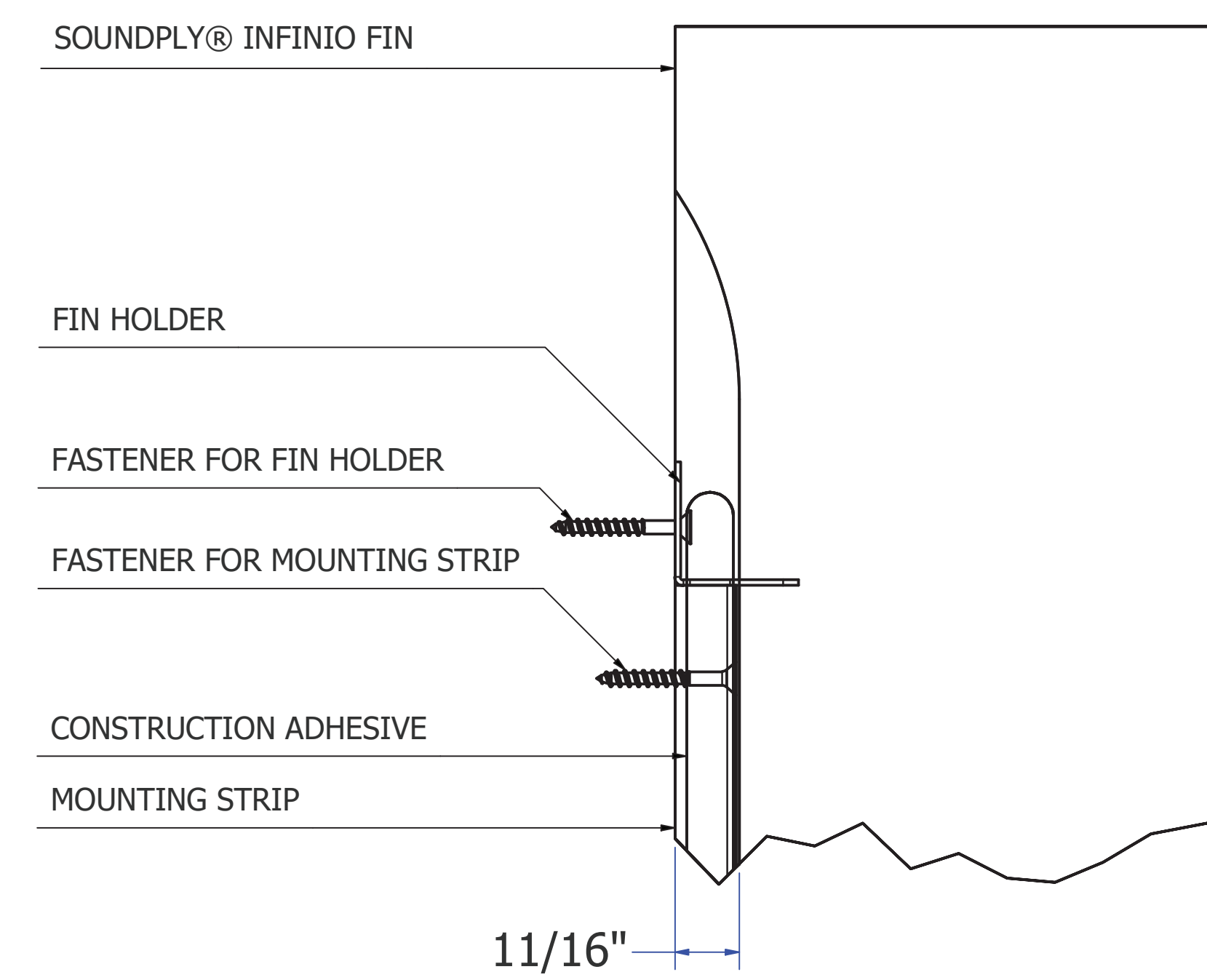
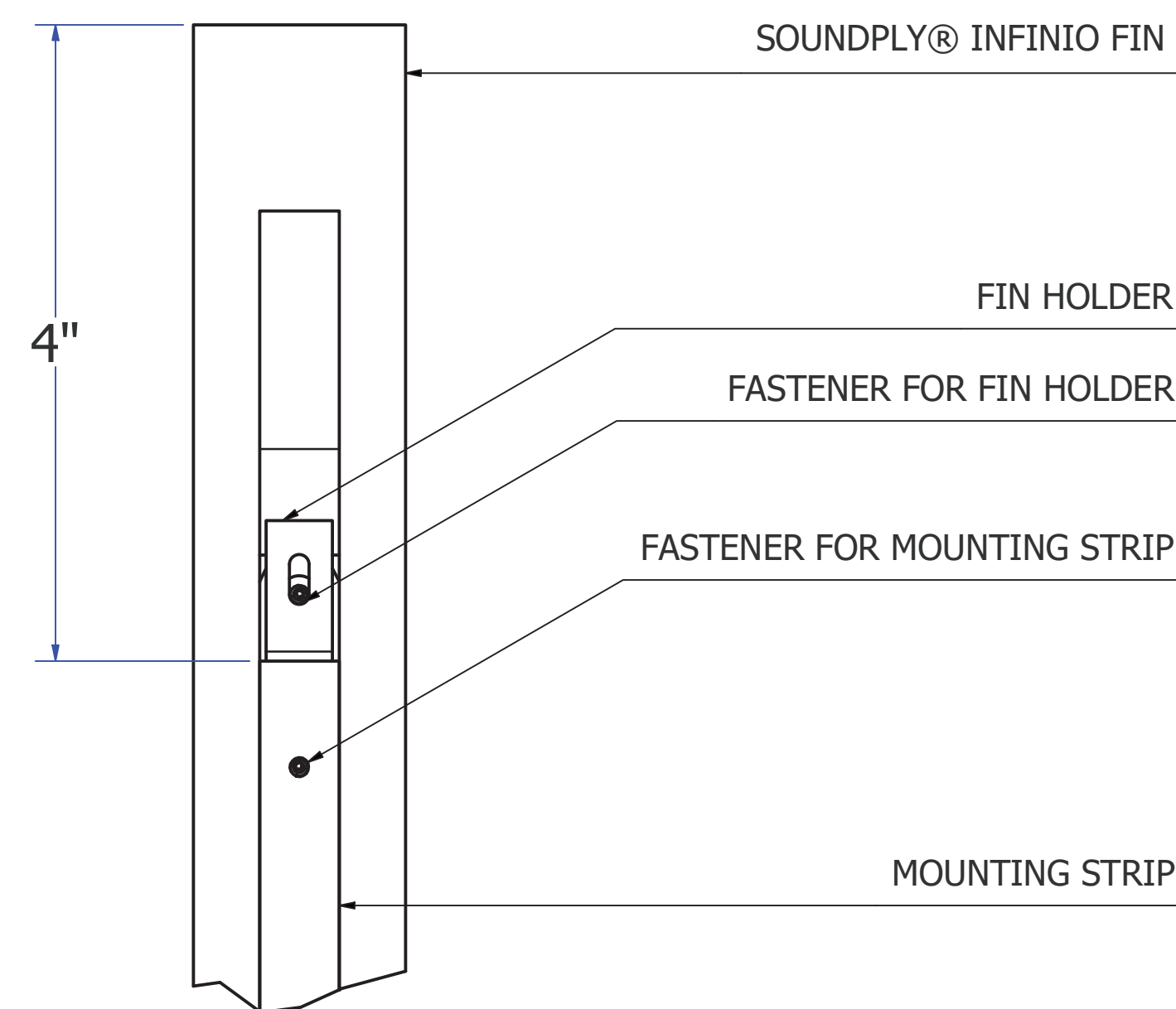
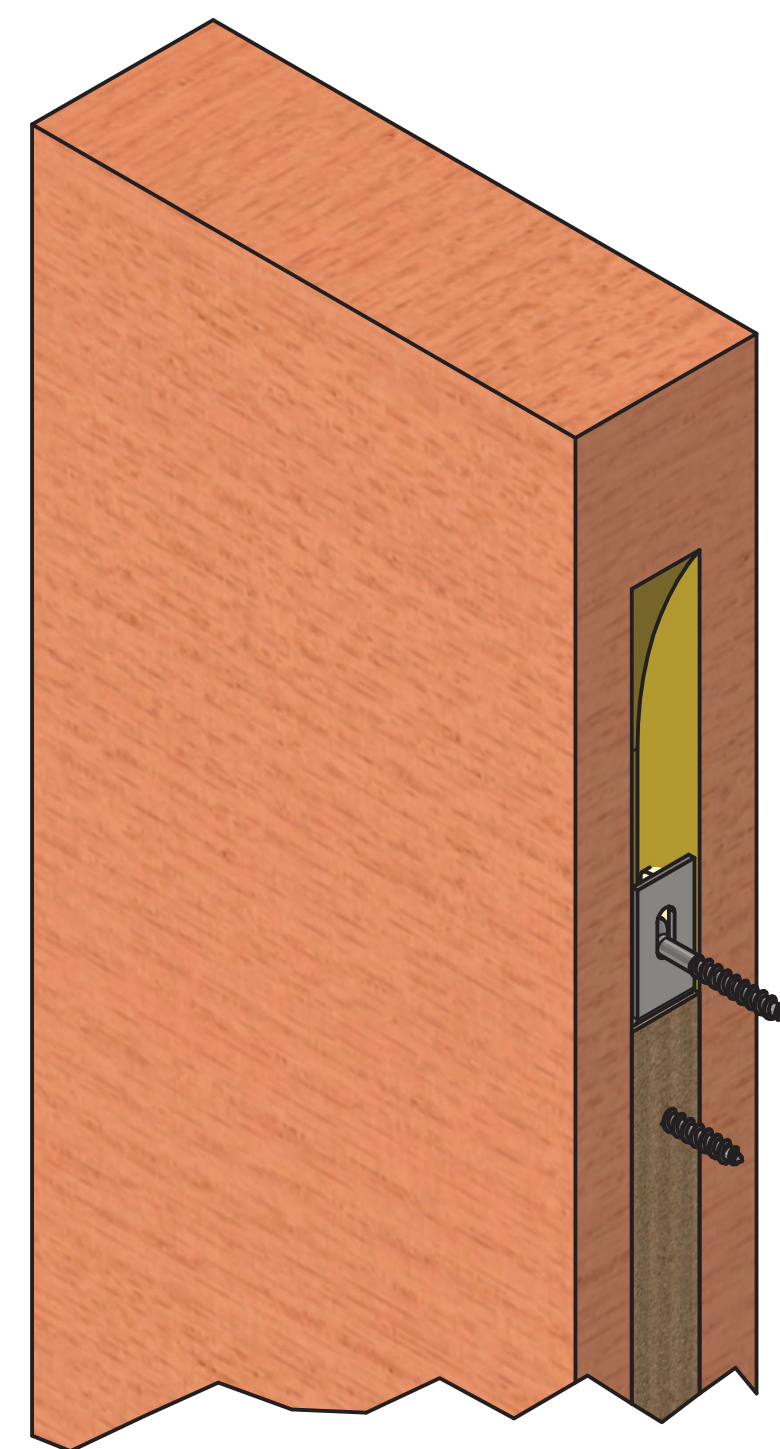


ISO



BACK

SIDE



A ISO DETAIL - WALL FIN ASSEMBLY

B BACK DETAIL - WALL FIN ASSEMBLY

C SIDE DETAIL - WALL FIN ASSEMBLY

Instructional Videos

