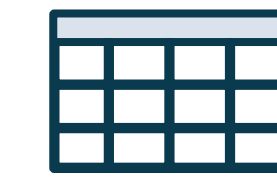
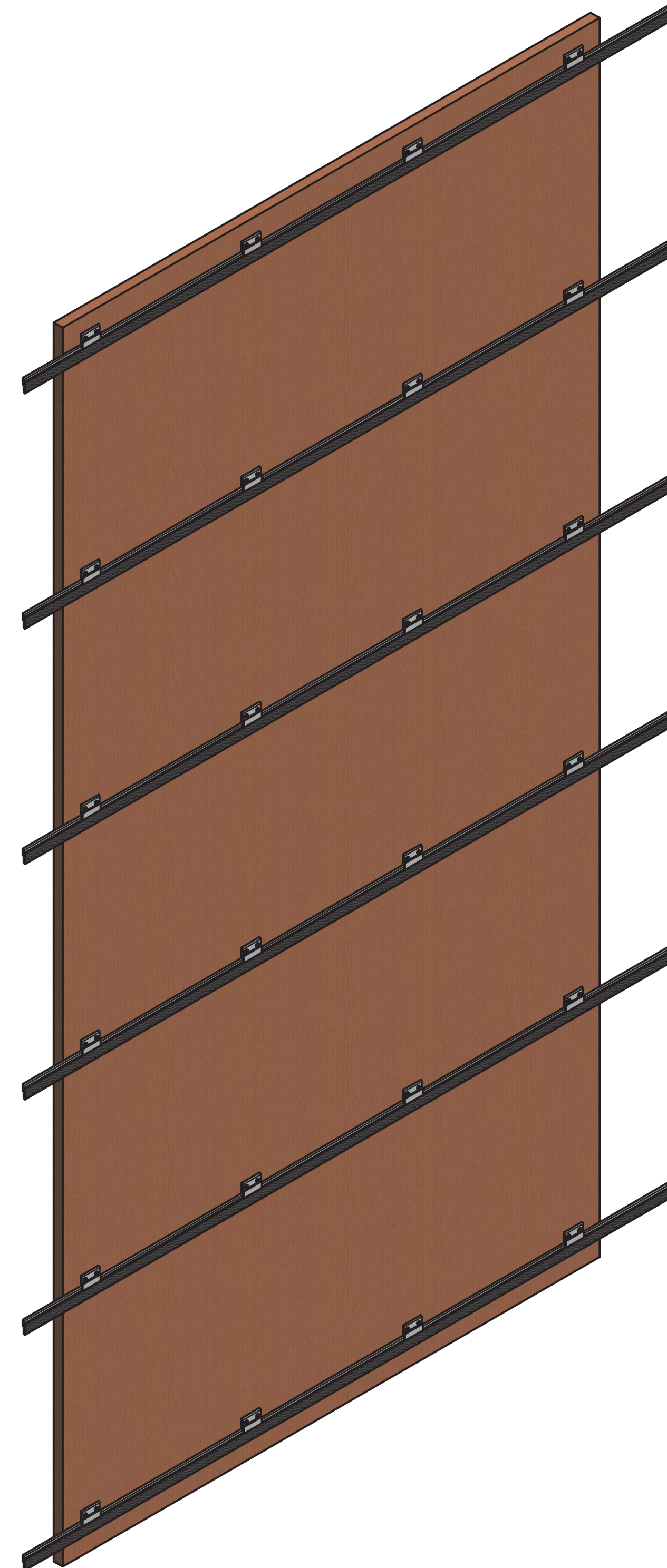


Wall Panel Attachments

SoundPly® Latus and Hard Panels



Wall Panel Options

Page 2

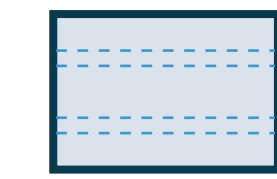


Hardware List

Page 3



Direct to Wall



Fixed Panel Mount

Page 4

Wall Panel Options

SoundPly® Latus and Hard Panels



| | SOUNDPLY | Hard Panel |
|--|---|---|
| Wall Panel Mount  |  |  |

Hardware List



Supplied by Navy Island

| Name | Part Number |
|-----------------------|--------------------|
| 3/8" Z-Bar 6' | H201-0570 |
| 3/8" Z-Bar 12' | H201-0529 |
| 3/8" Z-Clip | H201-0998 |
| Helix Screw | HA05-0951 |
| Screw for Hard Panel | HA01-0545 |
| SoundPly® Latus Panel | |
| Hard Panel | |

Supplied by Others

| Name | Description |
|--------------------|---|
| Fastener for Z-Bar | Varies based on mounting substrate, Z-Bar must be secured to structure |

Fixed Panel Mount - Direct to Wall



These drawings have been created for illustrative purposes. The depiction of materials are not to be used as a submittal for that product.

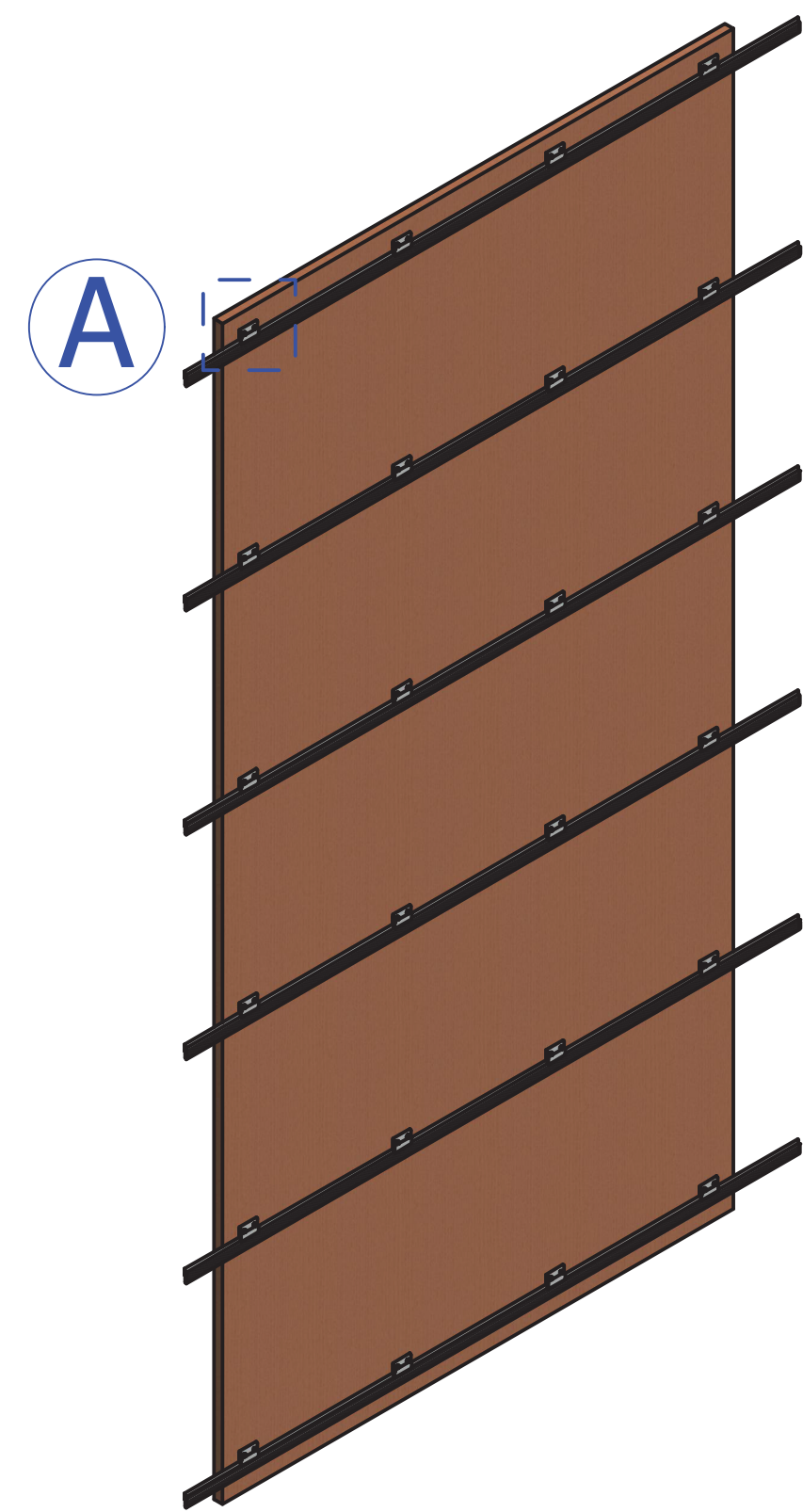
SCALE BASED ON 24" x 36" SHEET SIZE.

SUPPLIED BY NAVY ISLAND

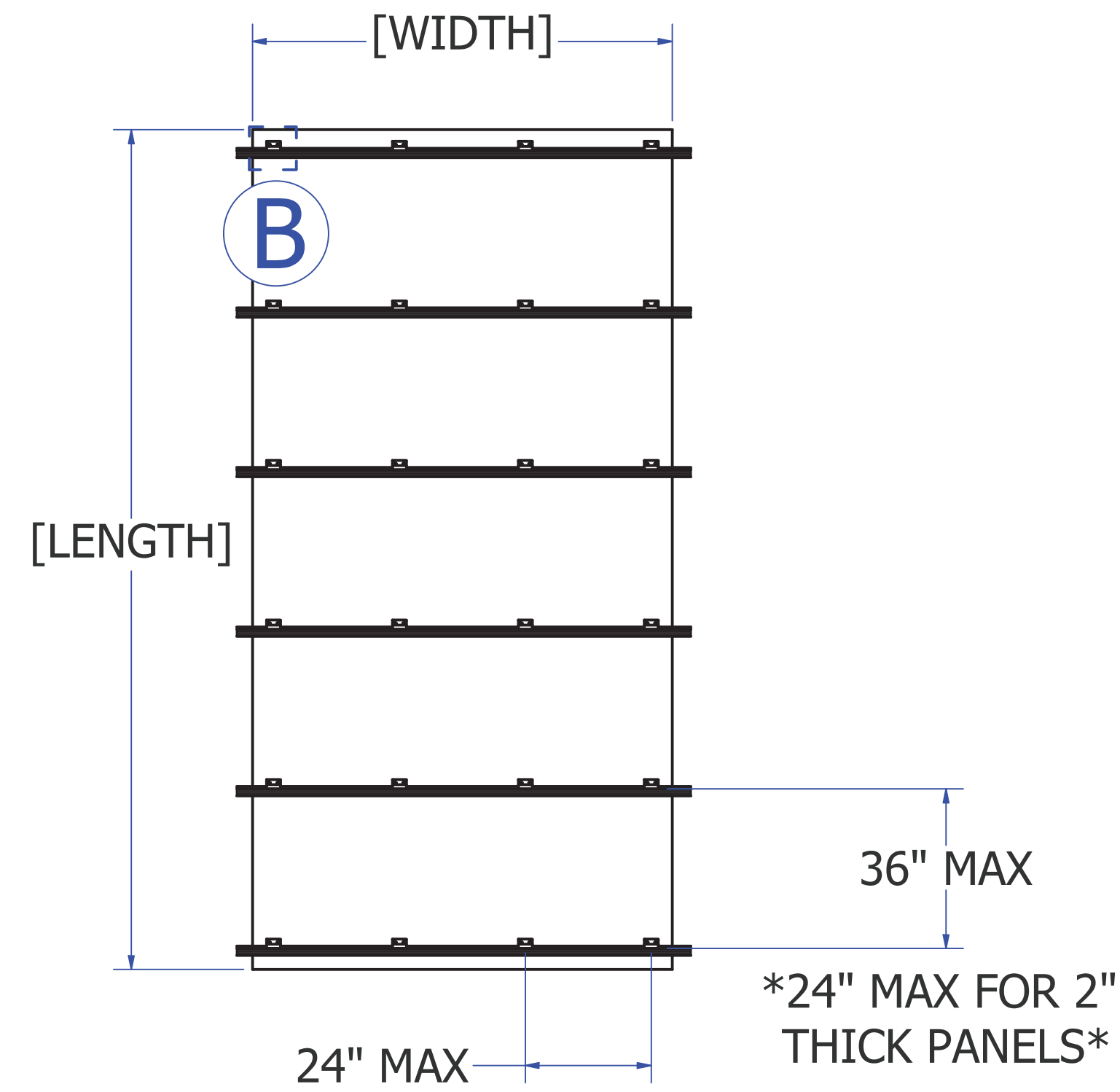
- SOUNDPLY® LATUS PANEL
- 3/8" Z-BAR
- 3/8" Z-CLIP
- HELIX SCREW
- HARD PANEL
- SCREW FOR HARD PANEL

SUPPLIED BY OTHERS

- SCREW FOR Z-BAR



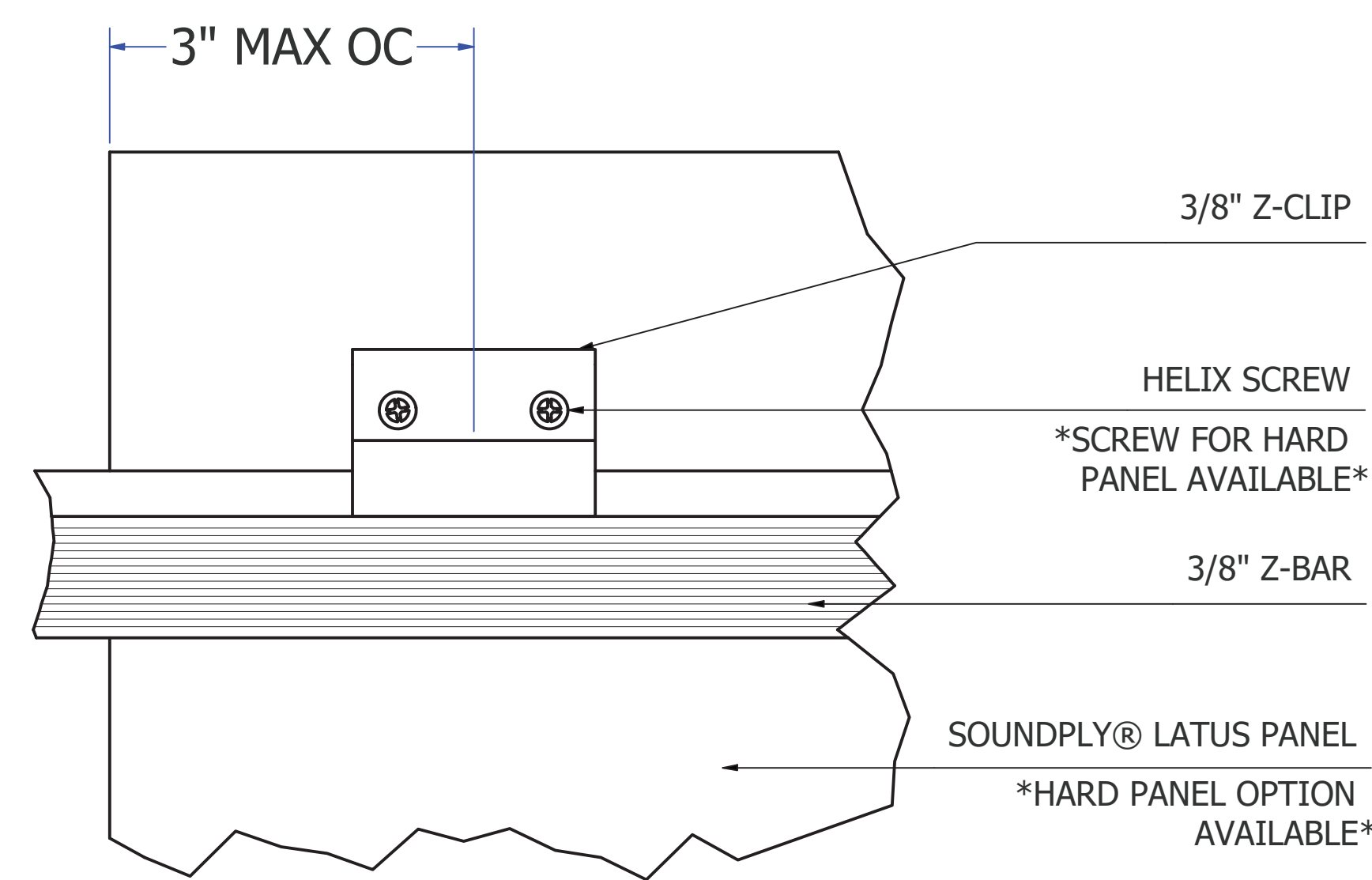
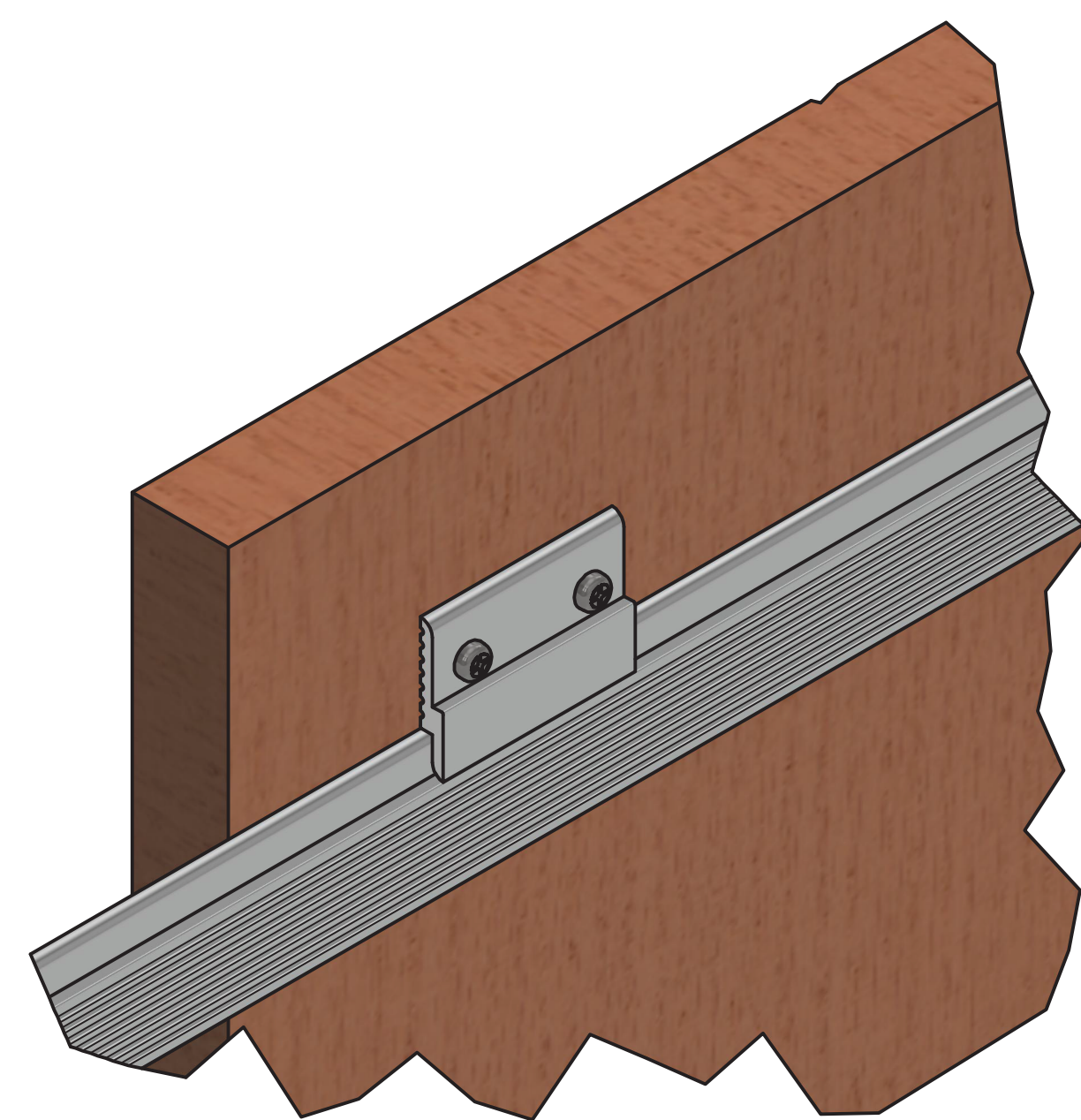
ISO



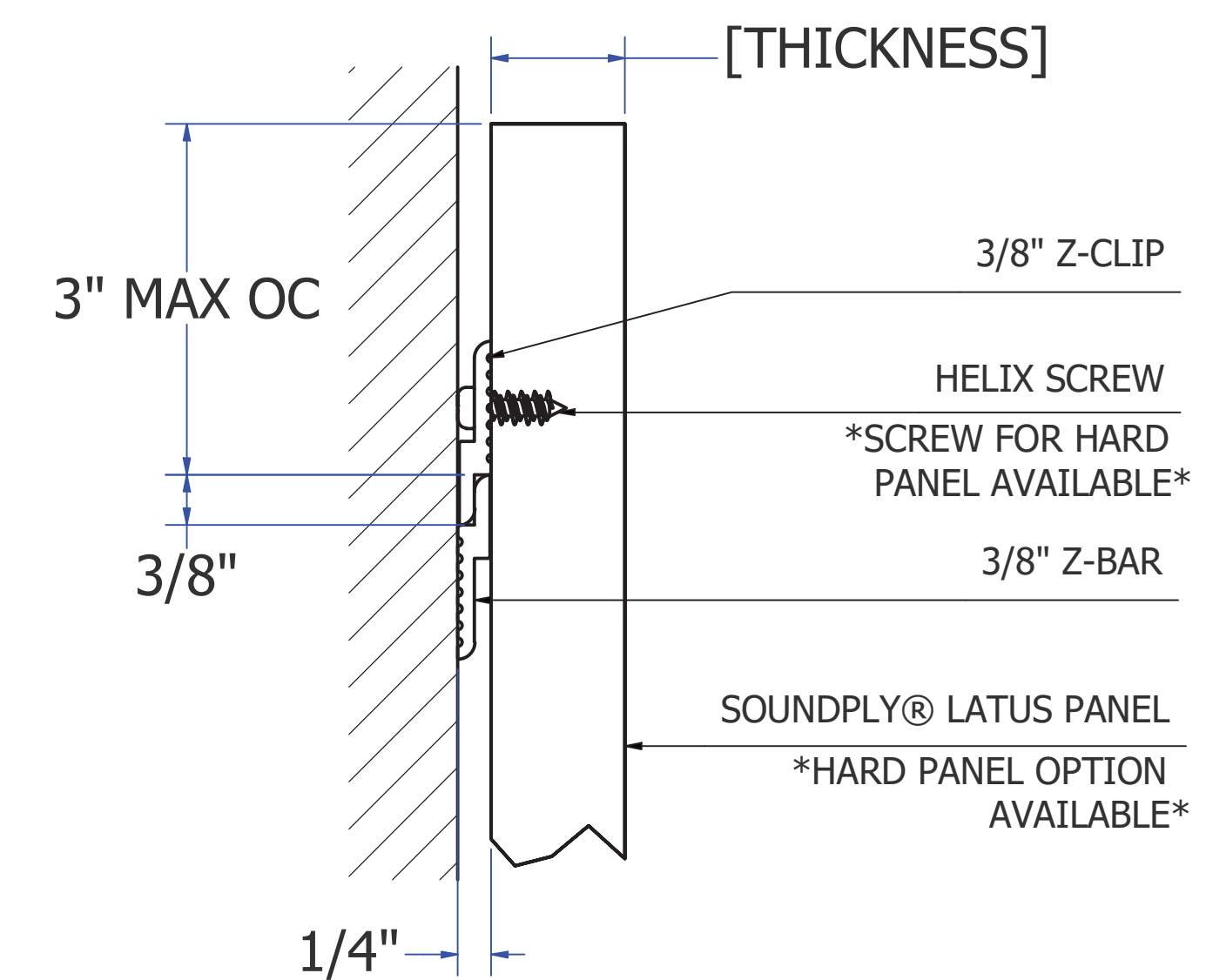
BACK



SIDE

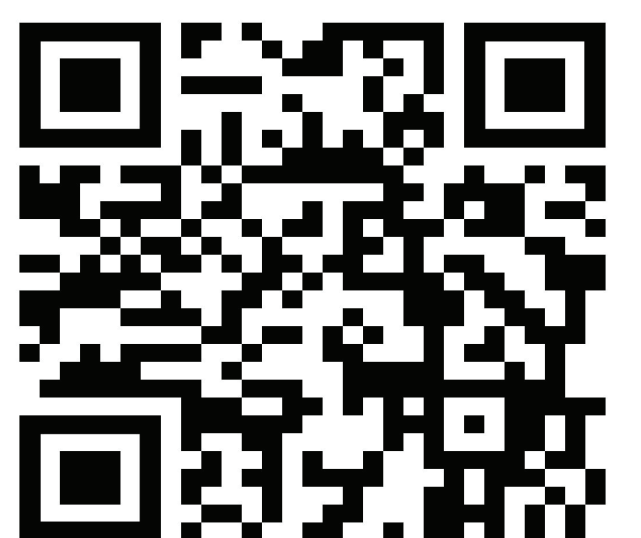


B BACK DETAIL - Z-CLIP ASSEMBLY



C SIDE DETAIL - Z-CLIP ASSEMBLY

Instructional Videos



A ISO DETAIL - Z-CLIP ASSEMBLY